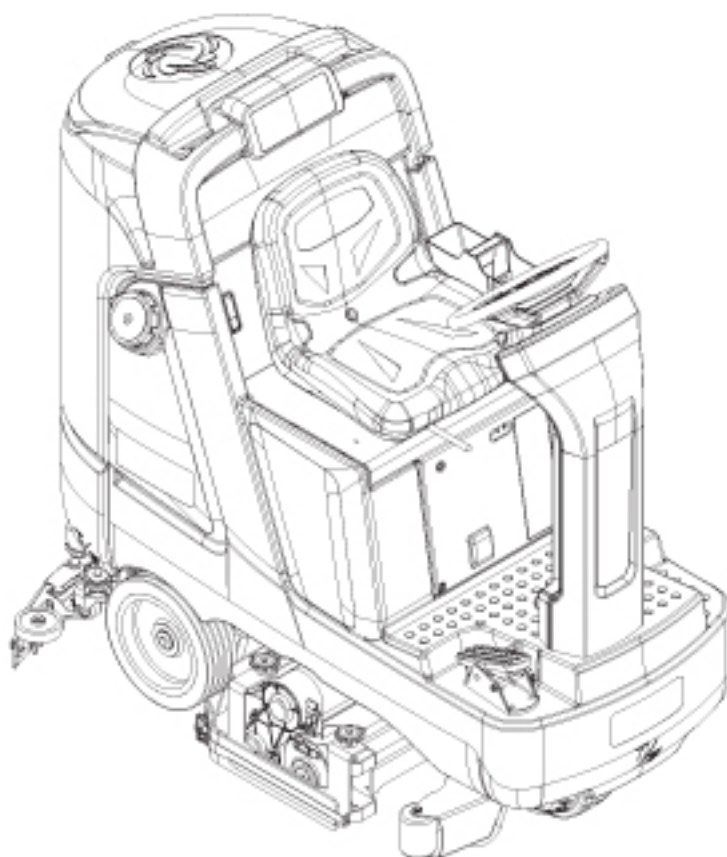


PARTS LIST

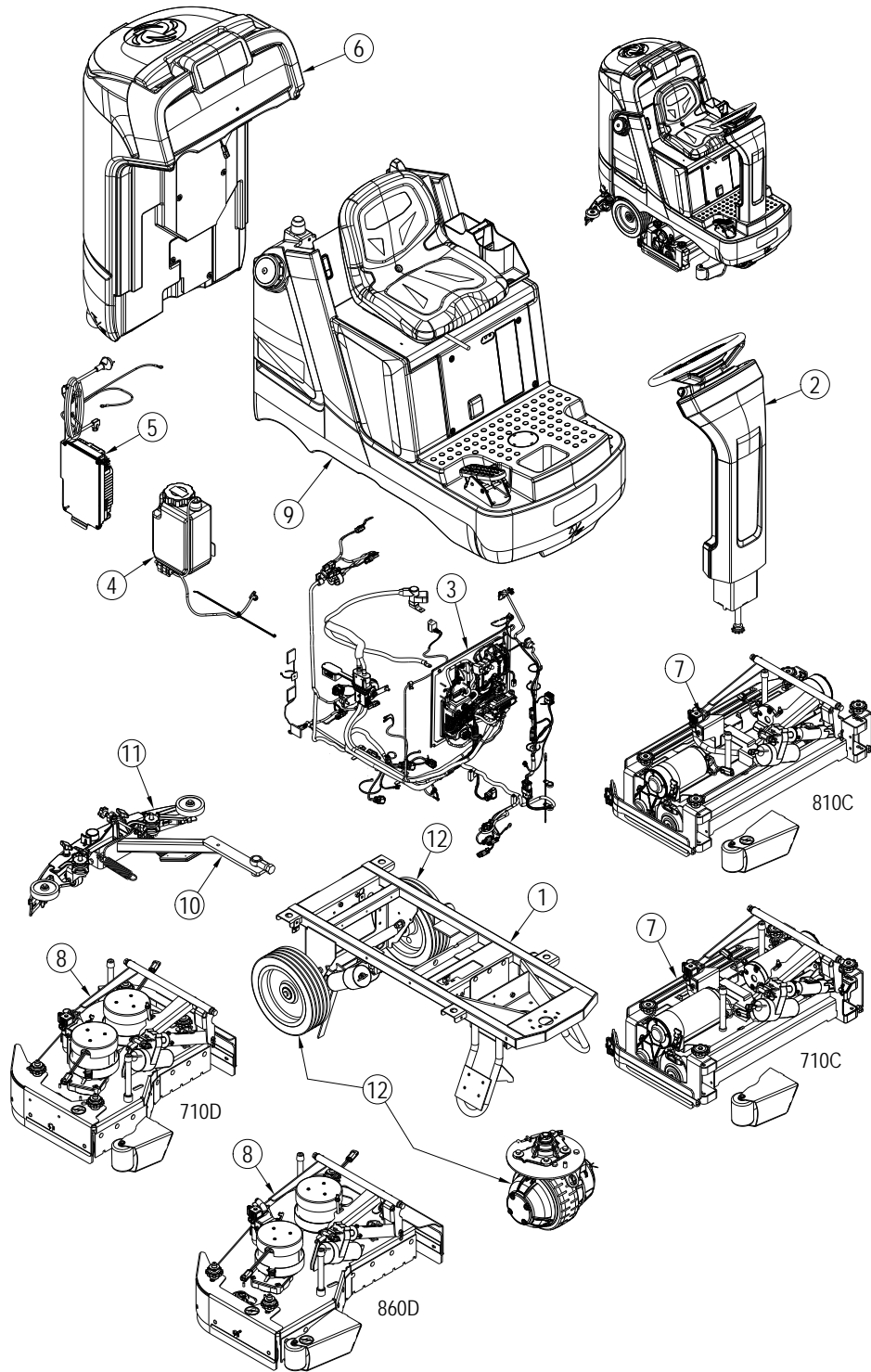


2023.08.14

NILFISK

TABLE OF CONTENTS

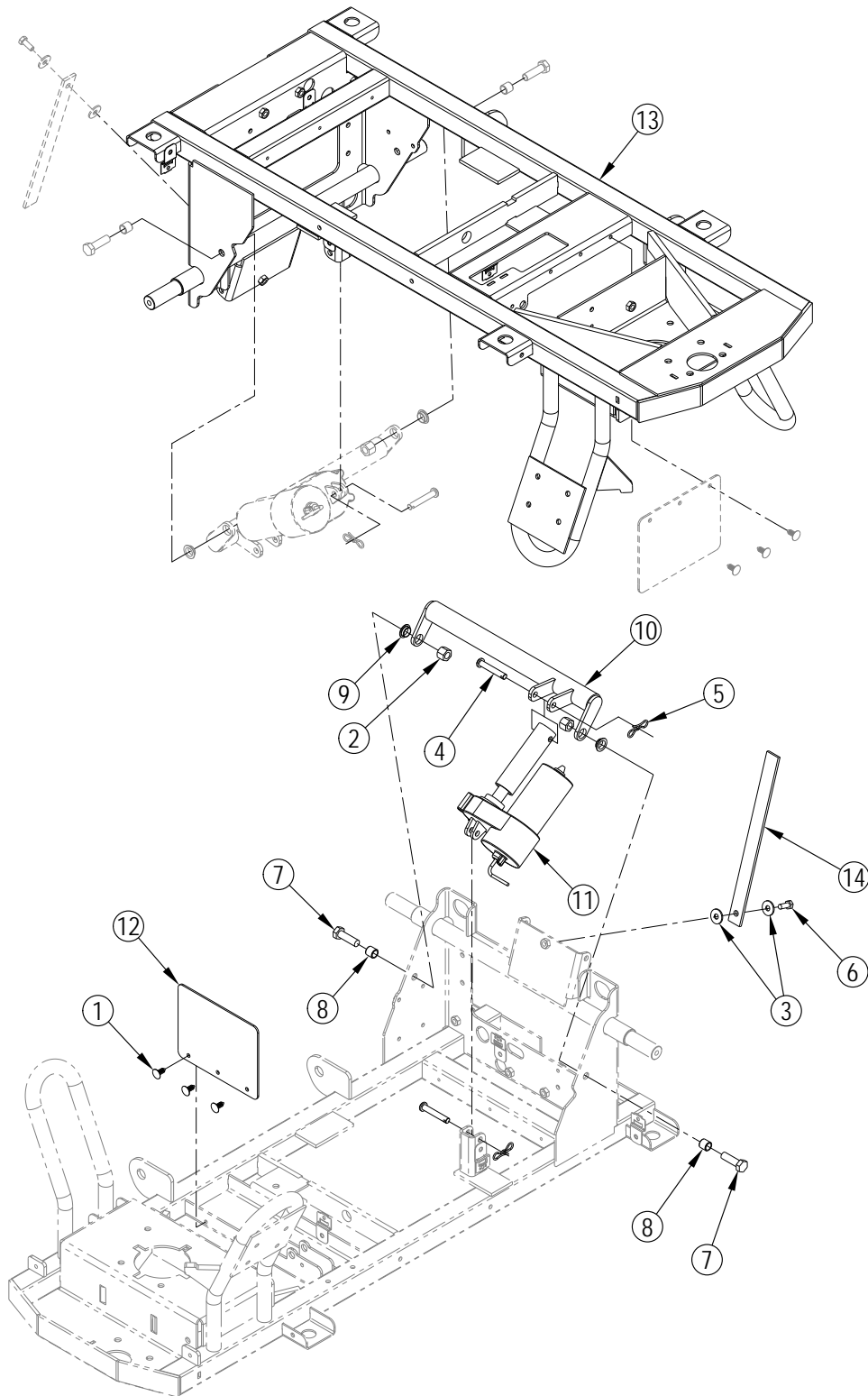
General View	1
Chassis System	3
Steering Control System	5
Decal System	8
Electrical System-1	10
Electrical System-2	13
Electrical System-3	16
Electrical System-4	19
Electrical System-5	22
Electrical System-6	25
Electrical System-7	28
Battery Connection Kit	30
Ecoflex Assembly	32
Onboard-Charger-Assembly	34
Recovery System	36
Scrub System-Cylindrical-Deck Assembly-710C	39
Scrub System-Cylindrical-Deck Assemblies-710C	42
Scrub System-Cylindrical-Deck Assembly-810C	45
Scrub System-Cylindrical-Deck Assemblies-810C	48
Scrub System-Cylindrical-Side Blade Assemblies	51
Scrub System-Disc-Deck Assembly-710D	53
Scrub System-Disc-Deck Assembly-860D	56
Scrub System-Disc-Side Skirt Assemblies-710D	59
Scrub System-Disc-Side Skirt Assemblies-860D	61
Solution System	63
Squeegee System	66
Squeegee System-Squeegee Assembly L	68
Squeegee System-Squeegee Assembly M	70
Rear and Drive Wheel System	72
Ladder Diagram-1	74
Ladder Diagram-2	76
Ladder Diagram-3	78
Ladder Diagram-4	80
Ladder Diagram-5	82
Ladder Diagram-6	84
Ladder Diagram-7	86
Ladder Diagram-8	88
Options & Accessories	90
Recommended Spare Parts	93
56120349 - ECOFLEX KIT	96
56120260 - 56117862_HEADLIGHT KIT	98



No.	Part No.	Qty.	Description	Part Note
1		1	Chassis System	[1]
2		1	Control System	[2]
3		1	Electrical System	[3]
4		1	Ecoflex™ Assembly	[4]
5		1	Onboard-Charger-Assembly	[5]
6		1	Recovery System	[6]
7		1	Scrub System-Cylindrical	[7]
8		1	Scrub System-Disc	[8]
9		1	Solution System	[9]
10		1	Squeegee System	[10]
11		1	Squeegee Assy	[11]
12		1	Wheel System	[12]

Part Notes:

- [1] - Chassis System
- [2] - Steering Control System
- [3] - Electrical System-1
Electrical System-2
Electrical System-3
Electrical System-4
Electrical System-5
Electrical System-6
Electrical System-7
- [4] - Ecoflex Assembly
- [5] - Onboard-Charger-Assembly
- [6] - Recovery System
- [7] - Scrub System-Cylindrical-Deck Assembly-710C
Scrub System-Cylindrical-Deck Assemblies-710C
Scrub System-Cylindrical-Deck Assemblies-810C
Scrub System-Cylindrical-Deck Assembly-810C
- [8] - Scrub System-Disc-Deck Assembly-710D
Scrub System-Disc-Deck Assembly-860D
Scrub System-Disc-Side Skirt Assemblies-710D
Scrub System-Disc-Side Skirt Assemblies-860D
- [9] - Solution System
- [10] - Squeegee System
- [11] - Squeegee System-Squeegee Assembly L
Squeegee System-Squeegee Assembly M
- [12] - Rear and Drive Wheel System



No.	Part No.	Qty.	Description	Part Note
1		3	Rivet, Nylon Tree Push-In (.25)	[1]
2		2	Nut, Hex Nyl Loc Ss M12-1.75	[2]
3		2	Wsh, Flt Ss 8mm	[3]
4		2	Clevis Pin .375 X 2.25	[4]
5		2	Pin-Bow-Tie Cot 7/16-1/2x.091	[4]
6		1	Scr Hex M8x20 Ss W/Thd Lck	[3]
7		2	Scr Hex M12x40 Ss W/Thd Lck	[2]
8		2	Bushing-12.5x16x14.48mm	[2]
9		2	Bearing-Flange-16x18x6mm	[2]
10		1	Squeegee Lift Arm Weldment	[2]
11		1	Actuator-Squeegee (M25)	
12		1	Shield-Actuator-Deck	[1]
13	56120240-SP	1	CHASSIS WELDMENT SIP	
14		1	Strap,Static, 12.5"	[3]
			Service Kits	
K1	56117889	1	SQUEEGEE ACTUATOR KIT	
K2	56117890	1	SQUEEGEE ARM KIT	
K3	56117891	1	STATIC STRAP KIT	
K4	56117833	1	ACTUATOR SHIELD KIT	

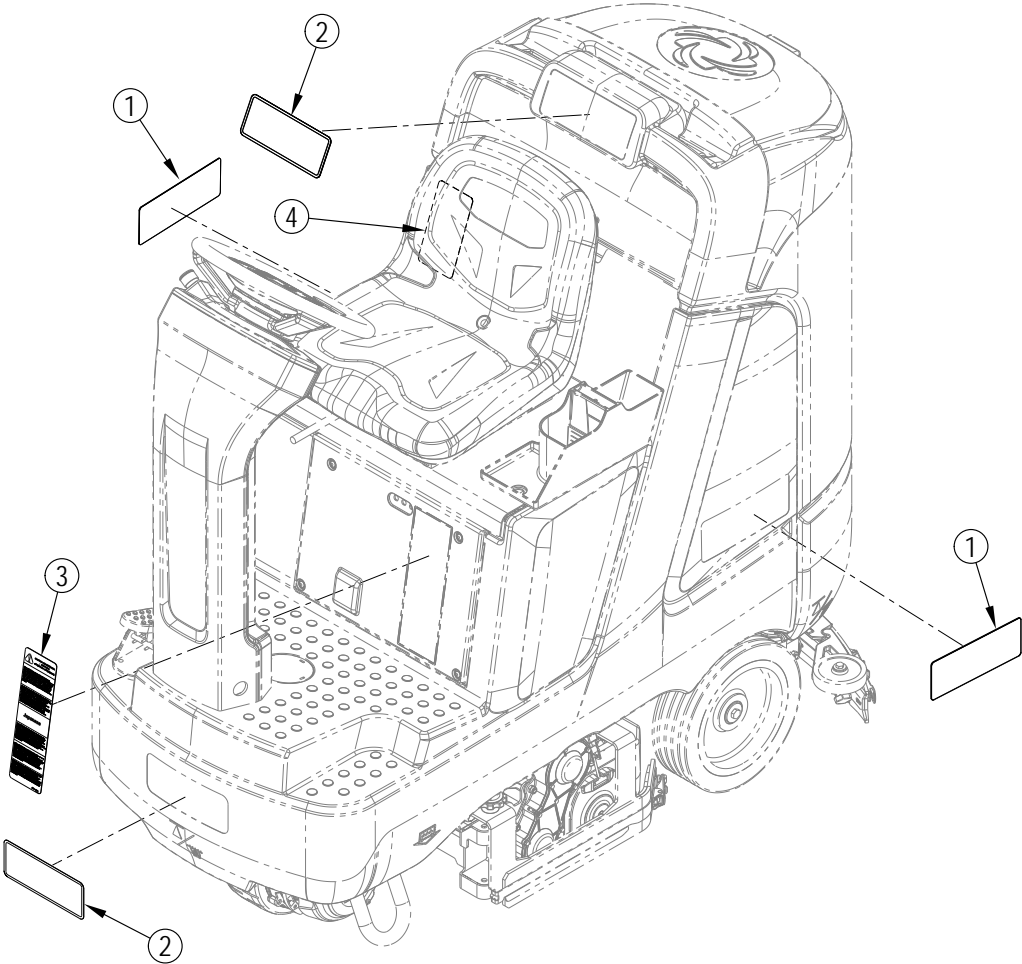
Part Notes:

- [1] - K4
- [2] - K2
- [3] - K3
- [4] - K1

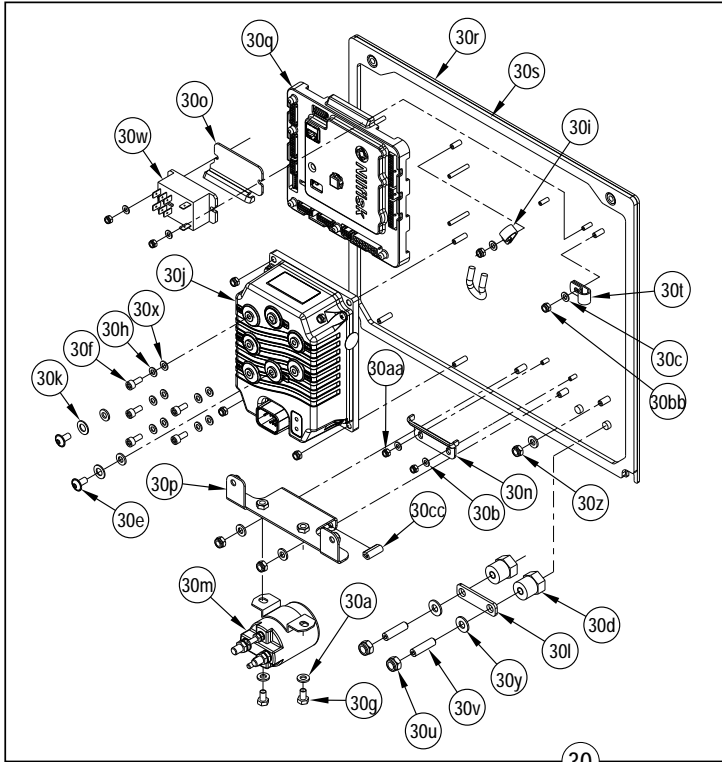
No.	Part No.	Qty.	Description	Part Note
1	56004088	4	SCR HEX M8X35 SS W/THD LCK	
2	56004091	4	SCR HEX M10X25 SS W/THD LCK	
3		4	Scr Trx M4x10 Bk Zc W/Thd Lck	[1]
4	56004099	4	SCR TRX M6X8 BK ZC W/THD LCK	
5	56004101	6	SCR TRX M6X20 W/THD LCK BLK	
6		3	Key-Sq 6x6x16-Din 6885a	[2]
7		1	Scr-Soc Set-Dog M6-1x12 Din915	[3]
8	56104247	1	DISCONNECT-EMERGENCY	
9		2	Collar-Shaft-20x32x14mm	[4]
10	56117080-SP	1	STEERING COLUMN WELDMENT	
11		1	Shaft-Steering-Lower	[5]
12	56120470-SP	1	SHROUD-STEERING-PIM-FRONT	
13	56117386-SP	1	SHROUD-STEERING-PIM-BACK	
14	56117387-SP	1	SHROUD-STEERING-PIM-TOP	
15	56117436-Sp	1	WHEEL-STEERING	
16	56117438-SP	1	PLATE-COVER-SHROUD	
17	56117705-SP	1	OFFSET STEERING ASSY	
17a		2	Scr Trx M6x12 W/Thd Lck Blk	
17b		2	Pin-Dowel-Iso2338-A1-H8-8x16	
17c		1	Ring-Ret-Spiral-Ext-35mm	
17d		1	Belt-Sync-5mm Pitch-300long	
17e		1	Collar-Shaft-M35-Steering	
17f		1	Base-Offset Steering	
17g		1	Cover-Offset Steering	
17h		3	Bearing-Sleeve-32x36x15	
17i		1	Bearing-Sleeve-40x44x16	
17j		1	Sprocket-Steering Wheel	
17k		1	Sprocket-U-Joint	
18		1	Interface Assembly	[1]
18a		10	Scr M3.5x14 Trx Plastite	[1]
18b		1	Bootloader-Interface	[1]
18c		1	Firmware-Interface	[1]
18d		1	Paddle-Boost Of Power	[1]
18e		1	Paddle-Solution	[1]
18f		2	Retainer-Paddle-Interface	[1]
18g		1	Housing Assembly-Padl Membrane	[1]
18h		1	Paddle-Reverse	[1]
18i		1	Paddle-Horn	[1]
18j		1	Display Assembly-Oled	[1]
19	56117716-SP	1	BASE-INTERFACE	
20		1	Mounting Weldment-Interface	[3]
21		1	Ujoint-Double-18mm	[6]
22		2	Scr-Soc-Set Cup M6x8 Iso4029	[4]
23	56118192	2	BEARING-FLANGE-20X23X12-BRONZE	
24	302004029	18	SCREW 5X18	
25		1	Sprocket-10 Tooth-18mm	[7]
26	56117681-SP	1	GROMMET-1.25DOGX.19WOGX.88ID	
27	56117849-SP	1	DECAL-EMERGENCY STOP	
28	56120293	1	CAP-USB HOLES	
			Service Kits	
K1	56117185	1	INTERFACE KIT	
K2	56117924	1	INTERFACE MOUNT KIT	
K3	56117923	1	UNIVERSAL JOINT KIT	
K4	56117920	1	LOWER STEERING SHAFT KIT	
K5	56117922	1	SHAFT COLLAR KIT	
K6	56117921	1	SPROCKET KIT	

Part Notes:

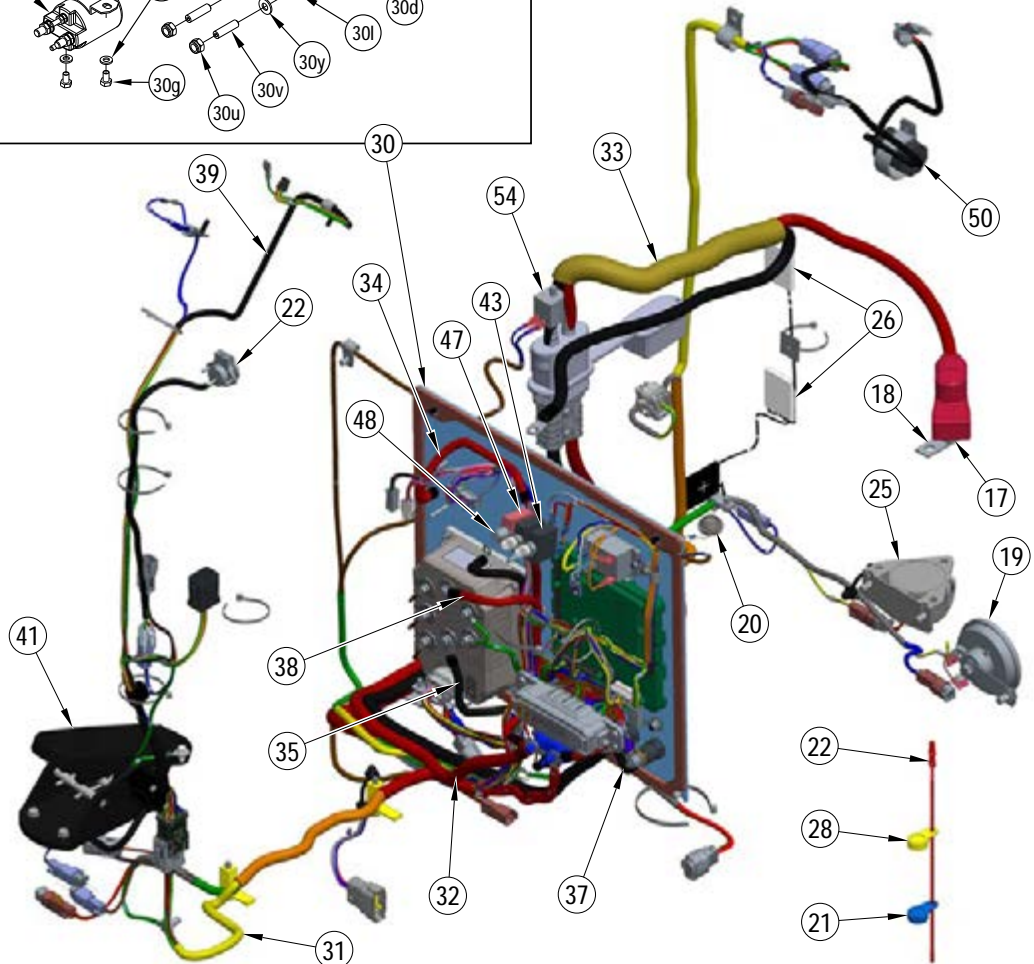
- [1] - K1
- [2] - K3,K4,K6
- [3] - K2
- [4] - K5
- [5] - K4
- [6] - K3
- [7] - K6



No.	Part No.	Qty.	Description	Part Note
1	56120183	2	DECAL-NILFISK SC4000	
2	1463789000	2	DECAL NILFISK 210X83MM F LIGHT GREY SURF	
3	56014601	1	DECAL CAUTION	
4	56120182	1	DECAL-BATTERY	



MACHINE HARNESSSES

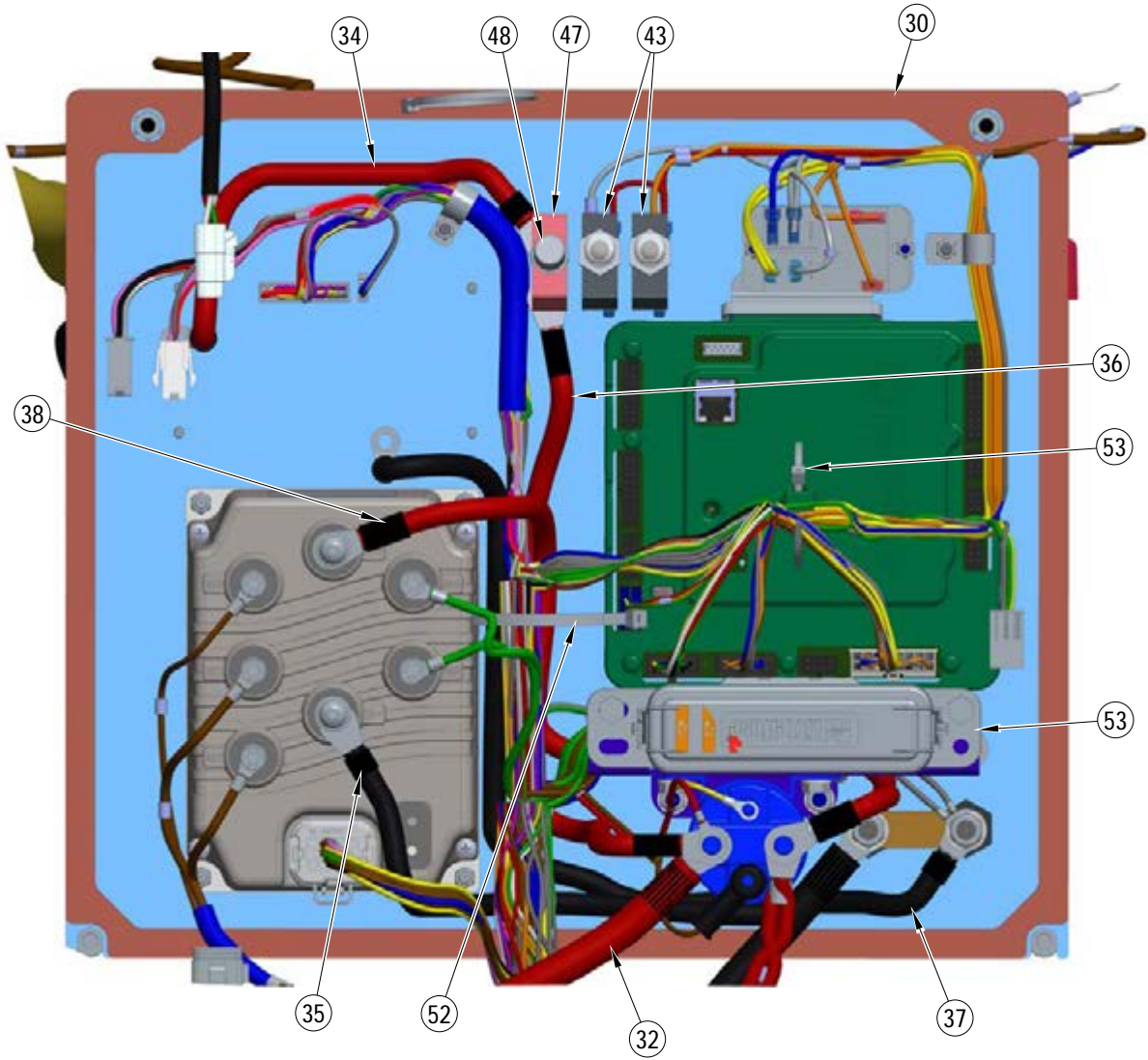


No.	Part No.	Qty.	Description	Part Note
1	1312	1	MOUNTING PAD	
2		3	Washer Plain M6x12.5x1.6 Ss Iso7093	[1]
3	1467022000	2	SCREW M6X12 HEX HD DIN7500 2 PCS SET	
4	9100001351	1	WASHER PLAIN M8 ISO7089 SS 10 PCS SET	
5	56002561	1	NUT KEPS 1/4-20	
6	56004083	3	SCR HEX M6X12 SS W/THD LCK	
7	56004084	3	SCR HEX M6X20 SS W/THD LCK	
8	56004100	4	SCR TRX M6X12 W/THD LCK BLK	
9	56004128	2	SCR HEX M8X16 SS W/THD LCK	
10	56004136	2	SCR HEX M6X16 SS W/THD LCK	
11	56004148	1	WSHR-28.6ODX22.2IDX1.5 BLK NYL	
12	56004152	2	SCR HEX M6X45 SS W/THD LCK	
13	56004157	2	SCR TRX M6X16 W/THD LCK BLK	
14	56004158	2	SCR TRX M6X30 SKT SS W/THD LCK	
15	56004160	2	SCR TRX M8X16 W/THD LCK BLK	
16	56111972	1	CLIP-CONNECTOR	
17	56115432	1	FUSE-150 AMP	
18	56115433	1	HOLDER-FUSE	
19	56116375	1	HORN-36V	
20	56116477	1	IBUTTON-PROBE	
21	56116518	1	SMART KEY-USER	
22	L08066000	1	TIE CABLE QUICK FASTENING L.320	
23	56116611	2	CABLE TIE MOUNT	
24	56117408-SP	1	HARENSS-RECOVERY TANK	
25	56117416-Sp	1	ALARM-BACK-UP-11-100V	
26	56117427-SP	1	SENSOR-LEVEL-CAPACITIVE	
27	56117964-SP	1	BUSHING-FLANGE-20X21X3.5MM	
28	56116519	1	SMART KEY-SUPERVISOR	
29	56120194	2	CLAMP-DIPPED-ELECTRICAL	
30		1	Electrical Panel Assembly	
30a	33005875	7	WASHER M6 UNI6592 SS	
30b	33023198	4	WASHER PLAIN M4 ISO7089	
30c	33023195	2	WASHER PLAIN M5 ISO7089	
30d	33017365	2	ISOLATOR M8	
30e	56004100	2	SCR TRX M6X12 W/THD LCK BLK	
30f	56004130	5	SCR TRX M5X12 SKT SS W/THD LCK	
30g	56004178	2	SCR HEX M6X10 SS W/THD LCK	
30h	56009255	5	WSH INT SHPRF 5MM	
30i	56056903	1	CLAMP LOOP E00129	
30j	56116087	1	MODULE-HIGH POWER	
30k	56116828	2	WASHER INT LOCK M6 DIN6798J SS	
30l	56117669-SP	1	PLATE-BUS BAR	
30m		1	Contactactor-36v (K2)	[1]
30n	56120103	1	BRACKET-P32-BOTTOM	
30o	56120104	1	BRACKET-P32-TOP	
30p	56120157	1	FUSE HOLDER BRACKET WELDMENT	
30q		1	P32 Assembly-Msro	
30r	56120197	1	PANEL ASSEMBLY-ELECTRICAL	
30s	56120198	1	GASKET-ELECTRICAL PANEL	
30t	56172017	1	P CLIP E00129	
30u	145 0452 000	2	NUT SELFLOCKING LOW M8	
30v	909 6600 000	2	SCREW GRUB M8X30	
30w	40892a	1	RELAY, DPDT	
30x	L08241500	5	WASHER PLAIN M5X10 SS ISO7089	
30y	9100001351	2	WASHER PLAIN M8 ISO7089 SS 10 PCS SET	
30z	L08603682	3	Hex nut selflocking SS M	[1]
30aa	L08603685	4	HEX NUT SELF LOCKING SS	
30bb	L08603688	6	NUT HEX SELF LOCK M5 SS	

No.	Part No.	Qty.	Description	Part Note
30cc	146 2803 000	1	GASKET L = 500MM	
31	56120202	1	HARNES-MAIN	
32	56120203	1	CABLE-MACHINE	
33	56120204	1	CABLE-BATTERY	
34	56120206	1	CABLE-B+ DRIVE MODULE	
35	56120207	1	CABLE-B- POWER MODULE	
36	56120208	1	CABLE-6 GA RED	
37	56120209	1	CABLE-B- DRIVE MODULE	
38	56120211	1	CABLE-B+ POWER MODULE	
39	56120220	1	HARENSS-COLUMN	
40	56123173	1	CLIP-CONNECTION	
41	56123358-Sp	1	PEDAL-UNI DIRECTION-HALL	
42	56314608	2	CLAMP CABLE	
43	56315255	2	CIRCUIT BREAKER, 5 AMP	
44	56323260	6	CLAMP CABLE	
45	56394585	1	CLAMP-P-1.57 DIA.	
46	56419120	1	CLAMP,HOSE SUPPORT	
47	56454429	1	70A CIRCUIT BREAK	
48	56459369	1	BOOT RESET BUTTON E00586	
49	56486112	1	CLAMP, CABLE	
50	56601686	1	FERRITE BEAD	
51	302004029	2	SCREW 5X18	
52	1466344000	3	TIE CABLE 4.8x200 BLACK	
53	1467025000	7	TIE CABLE 2.9X130 BLACK 10 PCS SET	
54	7-82-00050	1	SWITCH SEAT	
			Service Kits	
K1	56117835	1	36V CONTACTOR KIT	

Part Notes:

[1] - K1

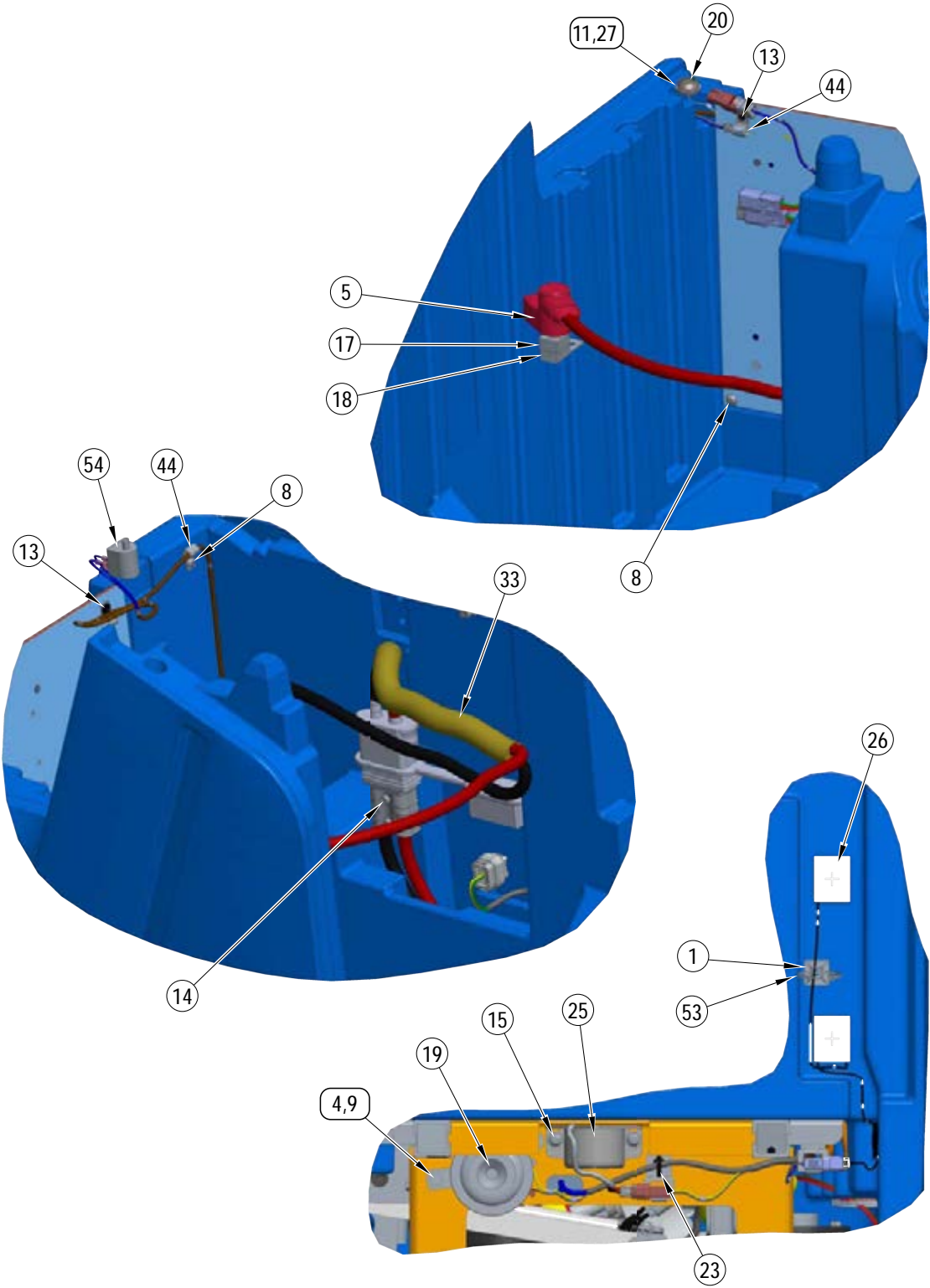


No.	Part No.	Qty.	Description	Part Note
1	1312	1	MOUNTING PAD	
2		3	Washer Plain M6x12.5x1.6 Ss Iso7093	[1]
3	1467022000	2	SCREW M6X12 HEX HD DIN7500 2 PCS SET	
4	9100001351	1	WASHER PLAIN M8 ISO7089 SS 10 PCS SET	
5	56002561	1	NUT KEPS 1/4-20	
6	56004083	3	SCR HEX M6X12 SS W/THD LCK	
7	56004084	3	SCR HEX M6X20 SS W/THD LCK	
8	56004100	4	SCR TRX M6X12 W/THD LCK BLK	
9	56004128	2	SCR HEX M8X16 SS W/THD LCK	
10	56004136	2	SCR HEX M6X16 SS W/THD LCK	
11	56004148	1	WSHR-28.6ODX22.2IDX1.5 BLK NYL	
12	56004152	2	SCR HEX M6X45 SS W/THD LCK	
13	56004157	2	SCR TRX M6X16 W/THD LCK BLK	
14	56004158	2	SCR TRX M6X30 SKT SS W/THD LCK	
15	56004160	2	SCR TRX M8X16 W/THD LCK BLK	
16	56111972	1	CLIP-CONNECTOR	
17	56115432	1	FUSE-150 AMP	
18	56115433	1	HOLDER-FUSE	
19	56116375	1	HORN-36V	
20	56116477	1	IBUTTON-PROBE	
21	56116518	1	SMART KEY-USER	
22	L08066000	1	TIE CABLE QUICK FASTENING L.320	
23	56116611	2	CABLE TIE MOUNT	
24	56117408-SP	1	HARENSS-RECOVERY TANK	
25	56117416-Sp	1	ALARM-BACK-UP-11-100V	
26	56117427-SP	1	SENSOR-LEVEL-CAPACITIVE	
27	56117964-SP	1	BUSHING-FLANGE-20X21X3.5MM	
28	56116519	1	SMART KEY-SUPERVISOR	
29	56120194	2	CLAMP-DIPPED-ELECTRICAL	
30		1	Electrical Panel Assembly	
30a	33005875	7	WASHER M6 UNI6592 SS	
30b	33023198	4	WASHER PLAIN M4 ISO7089	
30c	33023195	2	WASHER PLAIN M5 ISO7089	
30d	33017365	2	ISOLATOR M8	
30e	56004100	2	SCR TRX M6X12 W/THD LCK BLK	
30f	56004130	5	SCR TRX M5X12 SKT SS W/THD LCK	
30g	56004178	2	SCR HEX M6X10 SS W/THD LCK	
30h	56009255	5	WSH INT SHPRF 5MM	
30i	56056903	1	CLAMP LOOP E00129	
30j	56116087	1	MODULE-HIGH POWER	
30k	56116828	2	WASHER INT LOCK M6 DIN6798J SS	
30l	56117669-SP	1	PLATE-BUS BAR	
30m		1	Contacto-36v (K2)	[1]
30n	56120103	1	BRACKET-P32-BOTTOM	
30o	56120104	1	BRACKET-P32-TOP	
30p	56120157	1	FUSE HOLDER BRACKET WELDMENT	
30q		1	P32 Assembly-Msro	
30r	56120197	1	PANEL ASSEMBLY-ELECTRICAL	
30s	56120198	1	GASKET-ELECTRICAL PANEL	
30t	56172017	1	P CLIP E00129	
30u	145 0452 000	2	NUT SELFLOCKING LOW M8	
30v	909 6600 000	2	SCREW GRUB M8X30	
30w	40892a	1	RELAY, DPDT	
30x	L08241500	5	WASHER PLAIN M5X10 SS ISO7089	
30y	9100001351	2	WASHER PLAIN M8 ISO7089 SS 10 PCS SET	[1]
30z	L08603682	3	Hex nut selflocking SS M	
30aa	L08603685	4	HEX NUT SELF LOCKING SS	
30bb	L08603688	6	NUT HEX SELF LOCK M5 SS	

No.	Part No.	Qty.	Description	Part Note
30cc	146 2803 000	1	GASKET L = 500MM	
31	56120202	1	HARNES-MAIN	
32	56120203	1	CABLE-MACHINE	
33	56120204	1	CABLE-BATTERY	
34	56120206	1	CABLE-B+ DRIVE MODULE	
35	56120207	1	CABLE-B- POWER MODULE	
36	56120208	1	CABLE-6 GA RED	
37	56120209	1	CABLE-B- DRIVE MODULE	
38	56120211	1	CABLE-B+ POWER MODULE	
39	56120220	1	HARENSS-COLUMN	
40	56123173	1	CLIP-CONNECTION	
41	56123358-Sp	1	PEDAL-UNI DIRECTION-HALL	
42	56314608	2	CLAMP CABLE	
43	56315255	2	CIRCUIT BREAKER, 5 AMP	
44	56323260	6	CLAMP CABLE	
45	56394585	1	CLAMP-P-1.57 DIA.	
46	56419120	1	CLAMP,HOSE SUPPORT	
47	56454429	1	70A CIRCUIT BREAK	
48	56459369	1	BOOT RESET BUTTON E00586	
49	56486112	1	CLAMP, CABLE	
50	56601686	1	FERRITE BEAD	
51	302004029	2	SCREW 5X18	
52	1466344000	3	TIE CABLE 4.8x200 BLACK	
53	1467025000	7	TIE CABLE 2.9X130 BLACK 10 PCS SET	
54	7-82-00050	1	SWITCH SEAT	
			Service Kits	
K1	56117835	1	36V CONTACTOR KIT	

Part Notes:

[1] - K1

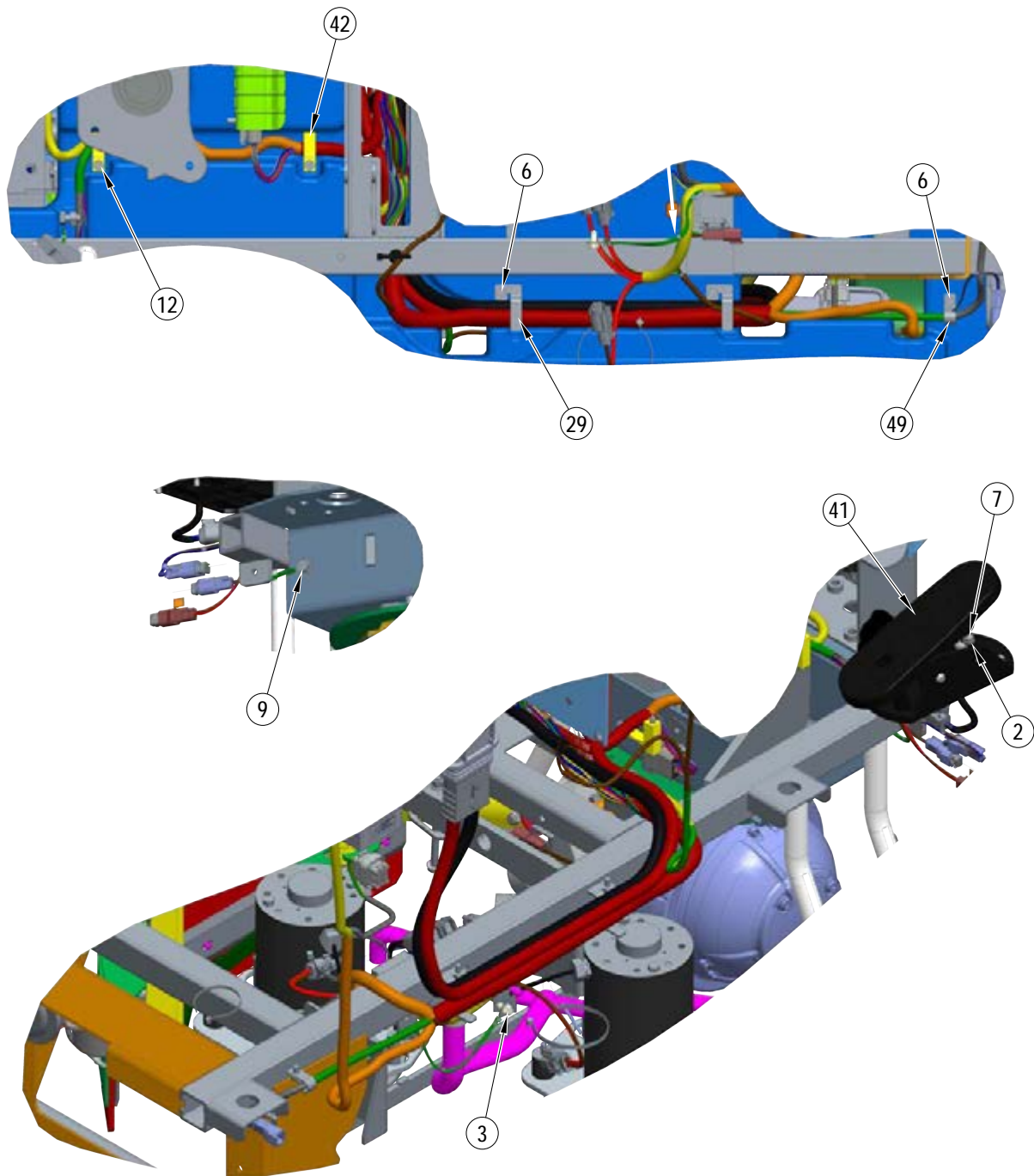


No.	Part No.	Qty.	Description	Part Note
1	1312	1	MOUNTING PAD	
2		3	Washer Plain M6x12.5x1.6 Ss Iso7093	[1]
3	1467022000	2	SCREW M6X12 HEX HD DIN7500 2 PCS SET	
4	9100001351	1	WASHER PLAIN M8 ISO7089 SS 10 PCS SET	
5	56002561	1	NUT KEPS 1/4-20	
6	56004083	3	SCR HEX M6X12 SS W/THD LCK	
7	56004084	3	SCR HEX M6X20 SS W/THD LCK	
8	56004100	4	SCR TRX M6X12 W/THD LCK BLK	
9	56004128	2	SCR HEX M8X16 SS W/THD LCK	
10	56004136	2	SCR HEX M6X16 SS W/THD LCK	
11	56004148	1	WSHR-28.6ODX22.2IDX1.5 BLK NYL	
12	56004152	2	SCR HEX M6X45 SS W/THD LCK	
13	56004157	2	SCR TRX M6X16 W/THD LCK BLK	
14	56004158	2	SCR TRX M6X30 SKT SS W/THD LCK	
15	56004160	2	SCR TRX M8X16 W/THD LCK BLK	
16	56111972	1	CLIP-CONNECTOR	
17	56115432	1	FUSE-150 AMP	
18	56115433	1	HOLDER-FUSE	
19	56116375	1	HORN-36V	
20	56116477	1	IBUTTON-PROBE	
21	56116518	1	SMART KEY-USER	
22	L08066000	1	TIE CABLE QUICK FASTENING L.320	
23	56116611	2	CABLE TIE MOUNT	
24	56117408-SP	1	HARENSS-RECOVERY TANK	
25	56117416-Sp	1	ALARM-BACK-UP-11-100V	
26	56117427-SP	1	SENSOR-LEVEL-CAPACITIVE	
27	56117964-SP	1	BUSHING-FLANGE-20X21X3.5MM	
28	56116519	1	SMART KEY-SUPERVISOR	
29	56120194	2	CLAMP-DIPPED-ELECTRICAL	
30		1	Electrical Panel Assembly	
30a	33005875	7	WASHER M6 UNI6592 SS	
30b	33023198	4	WASHER PLAIN M4 ISO7089	
30c	33023195	2	WASHER PLAIN M5 ISO7089	
30d	33017365	2	ISOLATOR M8	
30e	56004100	2	SCR TRX M6X12 W/THD LCK BLK	
30f	56004130	5	SCR TRX M5X12 SKT SS W/THD LCK	
30g	56004178	2	SCR HEX M6X10 SS W/THD LCK	
30h	56009255	5	WSH INT SHPRF 5MM	
30i	56056903	1	CLAMP LOOP E00129	
30j	56116087	1	MODULE-HIGH POWER	
30k	56116828	2	WASHER INT LOCK M6 DIN6798J SS	
30l	56117669-SP	1	PLATE-BUS BAR	
30m		1	Contactora-36v (K2)	[1]
30n	56120103	1	BRACKET-P32-BOTTOM	
30o	56120104	1	BRACKET-P32-TOP	
30p	56120157	1	FUSE HOLDER BRACKET WELDMENT	
30q		1	P32 Assembly-Msro	
30r	56120197	1	PANEL ASSEMBLY-ELECTRICAL	
30s	56120198	1	GASKET-ELECTRICAL PANEL	
30t	56172017	1	P CLIP E00129	
30u	145 0452 000	2	NUT SELFLOCKING LOW M8	
30v	909 6600 000	2	SCREW GRUB M8X30	
30w	40892a	1	RELAY, DPDT	
30x	L08241500	5	WASHER PLAIN M5X10 SS ISO7089	
30y	9100001351	2	WASHER PLAIN M8 ISO7089 SS 10 PCS SET	
30z	L08603682	3	Hex nut selflocking SS M	[1]
30aa	L08603685	4	HEX NUT SELF LOCKING SS	
30bb	L08603688	6	NUT HEX SELF LOCK M5 SS	

No.	Part No.	Qty.	Description	Part Note
30cc	146 2803 000	1	GASKET L = 500MM	
31	56120202	1	HARNES-MAIN	
32	56120203	1	CABLE-MACHINE	
33	56120204	1	CABLE-BATTERY	
34	56120206	1	CABLE-B+ DRIVE MODULE	
35	56120207	1	CABLE-B- POWER MODULE	
36	56120208	1	CABLE-6 GA RED	
37	56120209	1	CABLE-B- DRIVE MODULE	
38	56120211	1	CABLE-B+ POWER MODULE	
39	56120220	1	HARENSS-COLUMN	
40	56123173	1	CLIP-CONNECTION	
41	56123358-Sp	1	PEDAL-UNI DIRECTION-HALL	
42	56314608	2	CLAMP CABLE	
43	56315255	2	CIRCUIT BREAKER, 5 AMP	
44	56323260	6	CLAMP CABLE	
45	56394585	1	CLAMP-P-1.57 DIA.	
46	56419120	1	CLAMP,HOSE SUPPORT	
47	56454429	1	70A CIRCUIT BREAK	
48	56459369	1	BOOT RESET BUTTON E00586	
49	56486112	1	CLAMP, CABLE	
50	56601686	1	FERRITE BEAD	
51	302004029	2	SCREW 5X18	
52	1466344000	3	TIE CABLE 4.8x200 BLACK	
53	1467025000	7	TIE CABLE 2.9X130 BLACK 10 PCS SET	
54	7-82-00050	1	SWITCH SEAT	
			Service Kits	
K1	56117835	1	36V CONTACTOR KIT	

Part Notes:

[1] - K1



No.	Part No.	Qty.	Description	Part Note
1	1312	1	MOUNTING PAD	
2		3	Washer Plain M6x12.5x1.6 Ss Iso7093	[1]
3	1467022000	2	SCREW M6X12 HEX HD DIN7500 2 PCS SET	
4	9100001351	1	WASHER PLAIN M8 ISO7089 SS 10 PCS SET	
5	56002561	1	NUT KEPS 1/4-20	
6	56004083	3	SCR HEX M6X12 SS W/THD LCK	
7	56004084	3	SCR HEX M6X20 SS W/THD LCK	
8	56004100	4	SCR TRX M6X12 W/THD LCK BLK	
9	56004128	2	SCR HEX M8X16 SS W/THD LCK	
10	56004136	2	SCR HEX M6X16 SS W/THD LCK	
11	56004148	1	WSHR-28.6ODX22.2IDX1.5 BLK NYL	
12	56004152	2	SCR HEX M6X45 SS W/THD LCK	
13	56004157	2	SCR TRX M6X16 W/THD LCK BLK	
14	56004158	2	SCR TRX M6X30 SKT SS W/THD LCK	
15	56004160	2	SCR TRX M8X16 W/THD LCK BLK	
16	56111972	1	CLIP-CONNECTOR	
17	56115432	1	FUSE-150 AMP	
18	56115433	1	HOLDER-FUSE	
19	56116375	1	HORN-36V	
20	56116477	1	IBUTTON-PROBE	
21	56116518	1	SMART KEY-USER	
22	L08066000	1	TIE CABLE QUICK FASTENING L.320	
23	56116611	2	CABLE TIE MOUNT	
24	56117408-SP	1	HARENSS-RECOVERY TANK	
25	56117416-Sp	1	ALARM-BACK-UP-11-100V	
26	56117427-SP	1	SENSOR-LEVEL-CAPACITIVE	
27	56117964-SP	1	BUSHING-FLANGE-20X21X3.5MM	
28	56116519	1	SMART KEY-SUPERVISOR	
29	56120194	2	CLAMP-DIPPED-ELECTRICAL	
30		1	Electrical Panel Assembly	
30a	33005875	7	WASHER M6 UNI6592 SS	
30b	33023198	4	WASHER PLAIN M4 ISO7089	
30c	33023195	2	WASHER PLAIN M5 ISO7089	
30d	33017365	2	ISOLATOR M8	
30e	56004100	2	SCR TRX M6X12 W/THD LCK BLK	
30f	56004130	5	SCR TRX M5X12 SKT SS W/THD LCK	
30g	56004178	2	SCR HEX M6X10 SS W/THD LCK	
30h	56009255	5	WSH INT SHPRF 5MM	
30i	56056903	1	CLAMP LOOP E00129	
30j	56116087	1	MODULE-HIGH POWER	
30k	56116828	2	WASHER INT LOCK M6 DIN6798J SS	
30l	56117669-SP	1	PLATE-BUS BAR	
30m		1	Contacto-36v (K2)	[1]
30n	56120103	1	BRACKET-P32-BOTTOM	
30o	56120104	1	BRACKET-P32-TOP	
30p	56120157	1	FUSE HOLDER BRACKET WELDMENT	
30q		1	P32 Assembly-MSRO	
30r	56120197	1	PANEL ASSEMBLY-ELECTRICAL	
30s	56120198	1	GASKET-ELECTRICAL PANEL	
30t	56172017	1	P CLIP E00129	
30u	145 0452 000	2	NUT SELFLOCKING LOW M8	
30v	909 6600 000	2	SCREW GRUB M8X30	
30w	40892a	1	RELAY, DPDT	
30x	L08241500	5	WASHER PLAIN M5X10 SS ISO7089	
30y	9100001351	2	WASHER PLAIN M8 ISO7089 SS 10 PCS SET	
30z	L08603682	3	Hex nut selflocking SS M	[1]
30aa	L08603685	4	HEX NUT SELF LOCKING SS	
30bb	L08603688	6	NUT HEX SELF LOCK M5 SS	

No.	Part No.	Qty.	Description	Part Note
30cc	146 2803 000	1	GASKET L = 500MM	
31	56120202	1	HARNES-MAIN	
32	56120203	1	CABLE-MACHINE	
33	56120204	1	CABLE-BATTERY	
34	56120206	1	CABLE-B+ DRIVE MODULE	
35	56120207	1	CABLE-B- POWER MODULE	
36	56120208	1	CABLE-6 GA RED	
37	56120209	1	CABLE-B- DRIVE MODULE	
38	56120211	1	CABLE-B+ POWER MODULE	
39	56120220	1	HARENSS-COLUMN	
40	56123173	1	CLIP-CONNECTION	
41	56123358-Sp	1	PEDAL-UNI DIRECTION-HALL	
42	56314608	2	CLAMP CABLE	
43	56315255	2	CIRCUIT BREAKER, 5 AMP	
44	56323260	6	CLAMP CABLE	
45	56394585	1	CLAMP-P-1.57 DIA.	
46	56419120	1	CLAMP,HOSE SUPPORT	
47	56454429	1	70A CIRCUIT BREAK	
48	56459369	1	BOOT RESET BUTTON E00586	
49	56486112	1	CLAMP, CABLE	
50	56601686	1	FERRITE BEAD	
51	302004029	2	SCREW 5X18	
52	1466344000	3	TIE CABLE 4.8x200 BLACK	
53	1467025000	7	TIE CABLE 2.9X130 BLACK 10 PCS SET	
54	7-82-00050	1	SWITCH SEAT	
			Service Kits	
K1	56117835	1	36V CONTACTOR KIT	

Part Notes:

[1] - K1

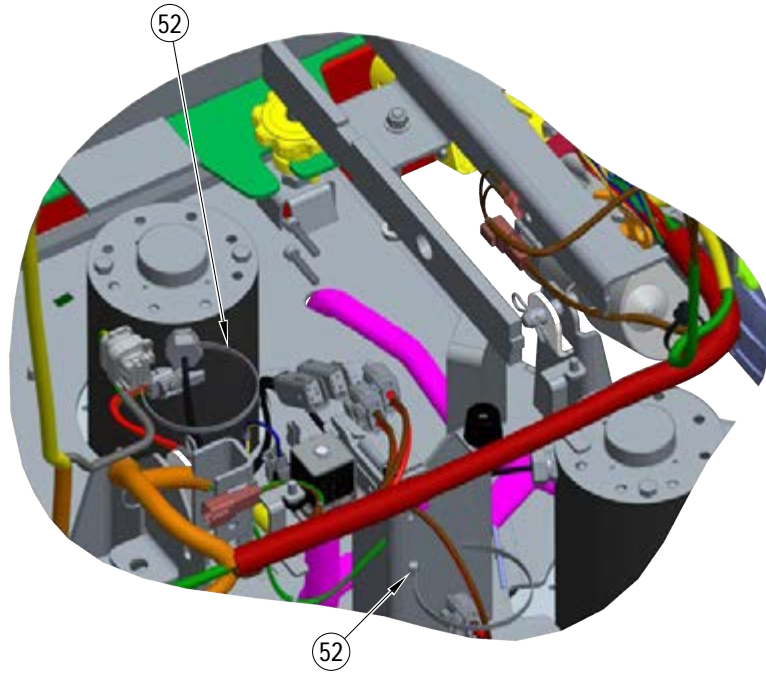
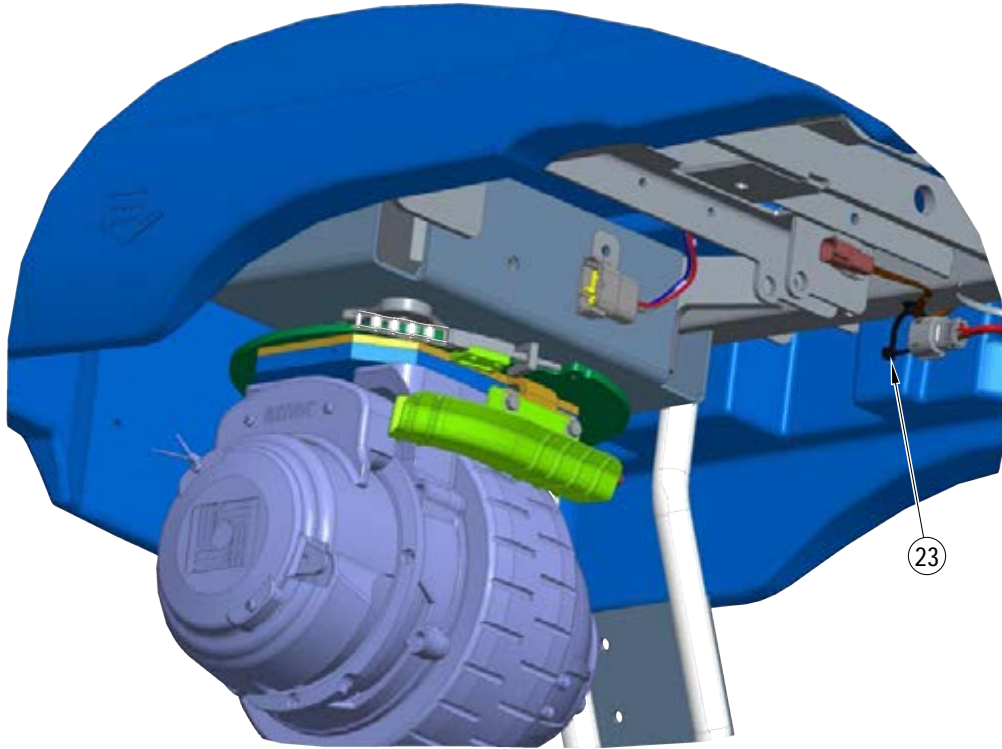


No.	Part No.	Qty.	Description	Part Note
1	1312	1	MOUNTING PAD	
2		3	Washer Plain M6x12.5x1.6 Ss Iso7093	[1]
3	1467022000	2	SCREW M6X12 HEX HD DIN7500 2 PCS SET	
4	9100001351	1	WASHER PLAIN M8 ISO7089 SS 10 PCS SET	
5	56002561	1	NUT KEPS 1/4-20	
6	56004083	3	SCR HEX M6X12 SS W/THD LCK	
7	56004084	3	SCR HEX M6X20 SS W/THD LCK	
8	56004100	4	SCR TRX M6X12 W/THD LCK BLK	
9	56004128	2	SCR HEX M8X16 SS W/THD LCK	
10	56004136	2	SCR HEX M6X16 SS W/THD LCK	
11	56004148	1	WSHR-28.6ODX22.2IDX1.5 BLK NYL	
12	56004152	2	SCR HEX M6X45 SS W/THD LCK	
13	56004157	2	SCR TRX M6X16 W/THD LCK BLK	
14	56004158	2	SCR TRX M6X30 SKT SS W/THD LCK	
15	56004160	2	SCR TRX M8X16 W/THD LCK BLK	
16	56111972	1	CLIP-CONNECTOR	
17	56115432	1	FUSE-150 AMP	
18	56115433	1	HOLDER-FUSE	
19	56116375	1	HORN-36V	
20	56116477	1	IBUTTON-PROBE	
21	56116518	1	SMART KEY-USER	
22	L08066000	1	TIE CABLE QUICK FASTENING L.320	
23	56116611	2	CABLE TIE MOUNT	
24	56117408-SP	1	HARENSS-RECOVERY TANK	
25	56117416-Sp	1	ALARM-BACK-UP-11-100V	
26	56117427-SP	1	SENSOR-LEVEL-CAPACITIVE	
27	56117964-SP	1	BUSHING-FLANGE-20X21X3.5MM	
28	56116519	1	SMART KEY-SUPERVISOR	
29	56120194	2	CLAMP-DIPPED-ELECTRICAL	
30		1	Electrical Panel Assembly	
30a	33005875	7	WASHER M6 UNI6592 SS	
30b	33023198	4	WASHER PLAIN M4 ISO7089	
30c	33023195	2	WASHER PLAIN M5 ISO7089	
30d	33017365	2	ISOLATOR M8	
30e	56004100	2	SCR TRX M6X12 W/THD LCK BLK	
30f	56004130	5	SCR TRX M5X12 SKT SS W/THD LCK	
30g	56004178	2	SCR HEX M6X10 SS W/THD LCK	
30h	56009255	5	WSH INT SHPRF 5MM	
30i	56056903	1	CLAMP LOOP E00129	
30j	56116087	1	MODULE-HIGH POWER	
30k	56116828	2	WASHER INT LOCK M6 DIN6798J SS	
30l	56117669-SP	1	PLATE-BUS BAR	
30m		1	Contacto-36v (K2)	[1]
30n	56120103	1	BRACKET-P32-BOTTOM	
30o	56120104	1	BRACKET-P32-TOP	
30p	56120157	1	FUSE HOLDER BRACKET WELDMENT	
30q		1	P32 Assembly-Msro	
30r	56120197	1	PANEL ASSEMBLY-ELECTRICAL	
30s	56120198	1	GASKET-ELECTRICAL PANEL	
30t	56172017	1	P CLIP E00129	
30u	145 0452 000	2	NUT SELFLOCKING LOW M8	
30v	909 6600 000	2	SCREW GRUB M8X30	
30w	40892a	1	RELAY, DPDT	
30x	L08241500	5	WASHER PLAIN M5X10 SS ISO7089	
30y	9100001351	2	WASHER PLAIN M8 ISO7089 SS 10 PCS SET	
30z	L08603682	3	Hex nut selflocking SS M	[1]
30aa	L08603685	4	HEX NUT SELF LOCKING SS	
30bb	L08603688	6	NUT HEX SELF LOCK M5 SS	

No.	Part No.	Qty.	Description	Part Note
30cc	146 2803 000	1	GASKET L = 500MM	
31	56120202	1	HARNESS-MAIN	
32	56120203	1	CABLE-MACHINE	
33	56120204	1	CABLE-BATTERY	
34	56120206	1	CABLE-B+ DRIVE MODULE	
35	56120207	1	CABLE-B- POWER MODULE	
36	56120208	1	CABLE-6 GA RED	
37	56120209	1	CABLE-B- DRIVE MODULE	
38	56120211	1	CABLE-B+ POWER MODULE	
39	56120220	1	HARENSS-COLUMN	
40	56123173	1	CLIP-CONNECTION	
41	56123358-Sp	1	PEDAL-UNI DIRECTION-HALL	
42	56314608	2	CLAMP CABLE	
43	56315255	2	CIRCUIT BREAKER, 5 AMP	
44	56323260	6	CLAMP CABLE	
45	56394585	1	CLAMP-P-1.57 DIA.	
46	56419120	1	CLAMP,HOSE SUPPORT	
47	56454429	1	70A CIRCUIT BREAK	
48	56459369	1	BOOT RESET BUTTON E00586	
49	56486112	1	CLAMP, CABLE	
50	56601686	1	FERRITE BEAD	
51	302004029	2	SCREW 5X18	
52	1466344000	3	TIE CABLE 4.8x200 BLACK	
53	1467025000	7	TIE CABLE 2.9X130 BLACK 10 PCS SET	
54	7-82-00050	1	SWITCH SEAT	
			Service Kits	
K1	56117835	1	36V CONTACTOR KIT	

Part Notes:

[1] - K1

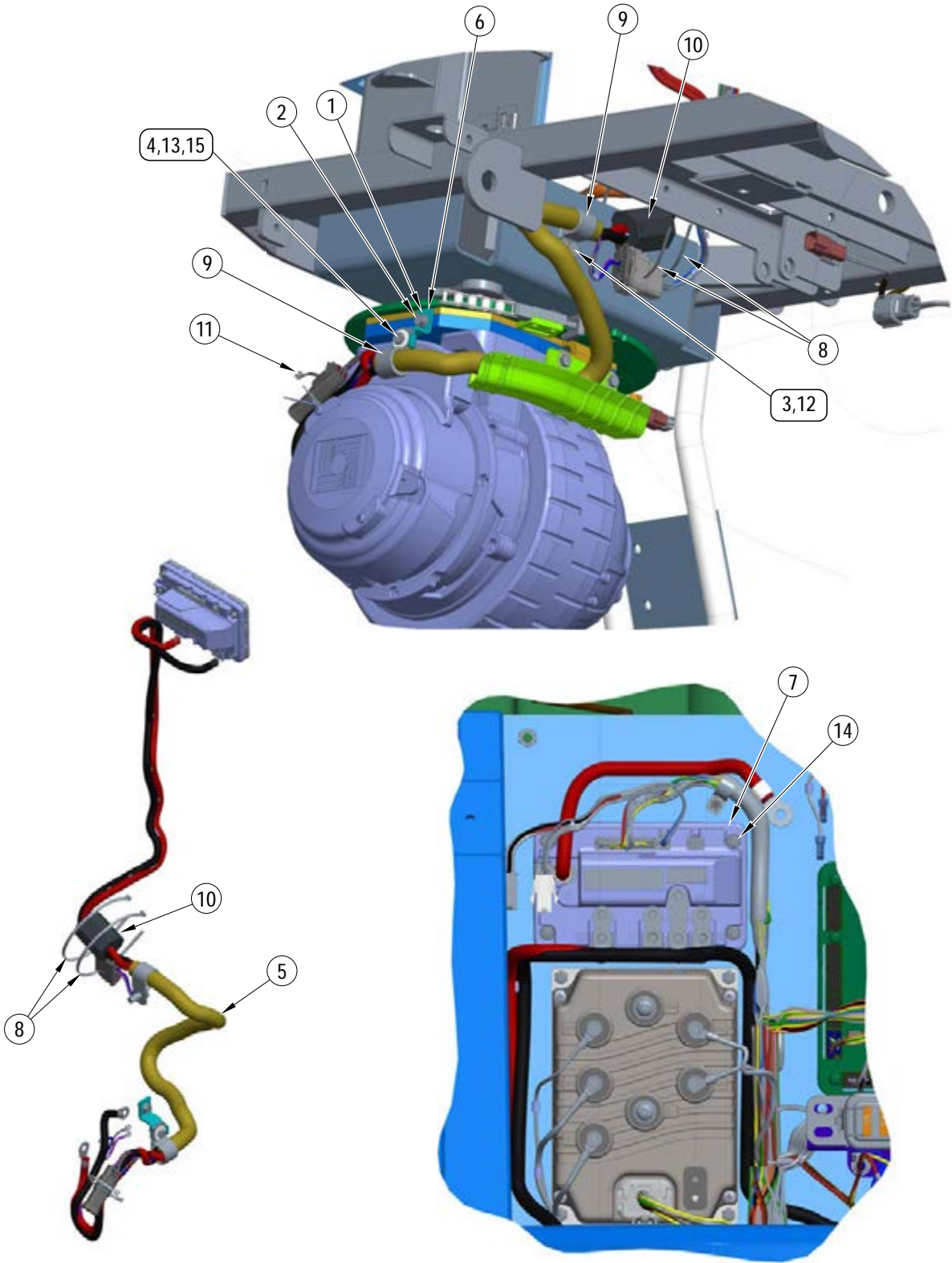


No.	Part No.	Qty.	Description	Part Note
1	1312	1	MOUNTING PAD	
2		3	Washer Plain M6x12.5x1.6 Ss Iso7093	[1]
3	1467022000	2	SCREW M6X12 HEX HD DIN7500 2 PCS SET	
4	9100001351	1	WASHER PLAIN M8 ISO7089 SS 10 PCS SET	
5	56002561	1	NUT KEPS 1/4-20	
6	56004083	3	SCR HEX M6X12 SS W/THD LCK	
7	56004084	3	SCR HEX M6X20 SS W/THD LCK	
8	56004100	4	SCR TRX M6X12 W/THD LCK BLK	
9	56004128	2	SCR HEX M8X16 SS W/THD LCK	
10	56004136	2	SCR HEX M6X16 SS W/THD LCK	
11	56004148	1	WSHR-28.6ODX22.2IDX1.5 BLK NYL	
12	56004152	2	SCR HEX M6X45 SS W/THD LCK	
13	56004157	2	SCR TRX M6X16 W/THD LCK BLK	
14	56004158	2	SCR TRX M6X30 SKT SS W/THD LCK	
15	56004160	2	SCR TRX M8X16 W/THD LCK BLK	
16	56111972	1	CLIP-CONNECTOR	
17	56115432	1	FUSE-150 AMP	
18	56115433	1	HOLDER-FUSE	
19	56116375	1	HORN-36V	
20	56116477	1	IBUTTON-PROBE	
21	56116518	1	SMART KEY-USER	
22	L08066000	1	TIE CABLE QUICK FASTENING L.320	
23	56116611	2	CABLE TIE MOUNT	
24	56117408-SP	1	HARENSS-RECOVERY TANK	
25	56117416-Sp	1	ALARM-BACK-UP-11-100V	
26	56117427-SP	1	SENSOR-LEVEL-CAPACITIVE	
27	56117964-SP	1	BUSHING-FLANGE-20X21X3.5MM	
28	56116519	1	SMART KEY-SUPERVISOR	
29	56120194	2	CLAMP-DIPPED-ELECTRICAL	
30		1	Electrical Panel Assembly	
30a	33005875	7	WASHER M6 UNI6592 SS	
30b	33023198	4	WASHER PLAIN M4 ISO7089	
30c	33023195	2	WASHER PLAIN M5 ISO7089	
30d	33017365	2	ISOLATOR M8	
30e	56004100	2	SCR TRX M6X12 W/THD LCK BLK	
30f	56004130	5	SCR TRX M5X12 SKT SS W/THD LCK	
30g	56004178	2	SCR HEX M6X10 SS W/THD LCK	
30h	56009255	5	WSH INT SHPRF 5MM	
30i	56056903	1	CLAMP LOOP E00129	
30j	56116087	1	MODULE-HIGH POWER	
30k	56116828	2	WASHER INT LOCK M6 DIN6798J SS	
30l	56117669-SP	1	PLATE-BUS BAR	
30m		1	Contactora-36v (K2)	[1]
30n	56120103	1	BRACKET-P32-BOTTOM	
30o	56120104	1	BRACKET-P32-TOP	
30p	56120157	1	FUSE HOLDER BRACKET WELDMENT	
30q		1	P32 Assembly-Msro	
30r	56120197	1	PANEL ASSEMBLY-ELECTRICAL	
30s	56120198	1	GASKET-ELECTRICAL PANEL	
30t	56172017	1	P CLIP E00129	
30u	145 0452 000	2	NUT SELFLOCKING LOW M8	
30v	909 6600 000	2	SCREW GRUB M8X30	
30w	40892a	1	RELAY, DPDT	
30x	L08241500	5	WASHER PLAIN M5X10 SS ISO7089	
30y	9100001351	2	WASHER PLAIN M8 ISO7089 SS 10 PCS SET	
30z	L08603682	3	Hex nut selflocking SS M	[1]
30aa	L08603685	4	HEX NUT SELF LOCKING SS	
30bb	L08603688	6	NUT HEX SELF LOCK M5 SS	

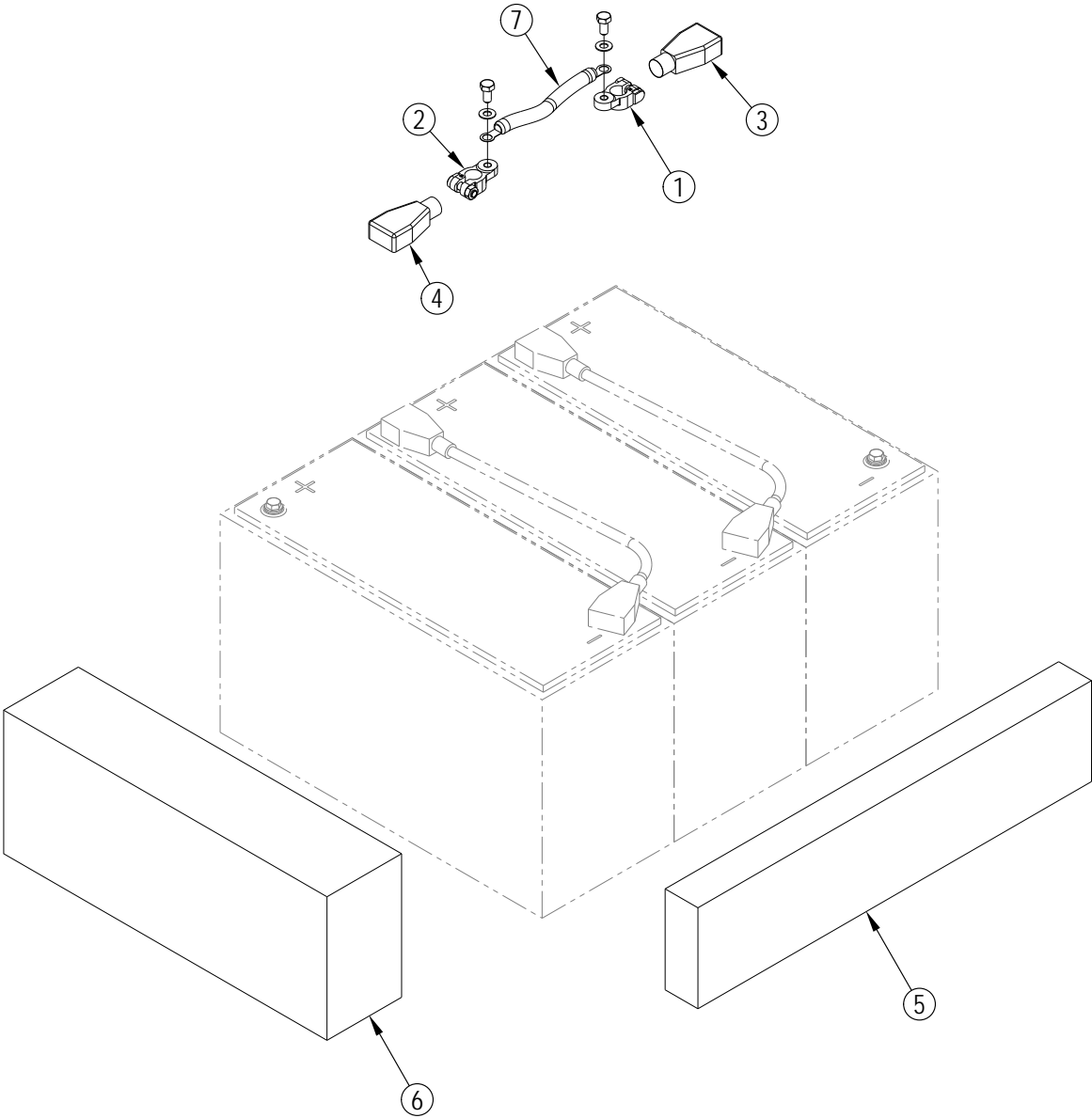
No.	Part No.	Qty.	Description	Part Note
30cc	146 2803 000	1	GASKET L = 500MM	
31	56120202	1	HARNES-MAIN	
32	56120203	1	CABLE-MACHINE	
33	56120204	1	CABLE-BATTERY	
34	56120206	1	CABLE-B+ DRIVE MODULE	
35	56120207	1	CABLE-B- POWER MODULE	
36	56120208	1	CABLE-6 GA RED	
37	56120209	1	CABLE-B- DRIVE MODULE	
38	56120211	1	CABLE-B+ POWER MODULE	
39	56120220	1	HARENSS-COLUMN	
40	56123173	1	CLIP-CONNECTION	
41	56123358-Sp	1	PEDAL-UNI DIRECTION-HALL	
42	56314608	2	CLAMP CABLE	
43	56315255	2	CIRCUIT BREAKER, 5 AMP	
44	56323260	6	CLAMP CABLE	
45	56394585	1	CLAMP-P-1.57 DIA.	
46	56419120	1	CLAMP,HOSE SUPPORT	
47	56454429	1	70A CIRCUIT BREAK	
48	56459369	1	BOOT RESET BUTTON E00586	
49	56486112	1	CLAMP, CABLE	
50	56601686	1	FERRITE BEAD	
51	302004029	2	SCREW 5X18	
52	1466344000	3	TIE CABLE 4.8x200 BLACK	
53	1467025000	7	TIE CABLE 2.9X130 BLACK 10 PCS SET	
54	7-82-00050	1	SWITCH SEAT	
			Service Kits	
K1	56117835	1	36V CONTACTOR KIT	

Part Notes:

[1] - K1



No.	Part No.	Qty.	Description	Part Note
1	33005875	1	WASHER M6 UNI6592 SS	
2	56004083	1	SCR HEX M6X12 SS W/THD LCK	
3	56004087	1	SCR HEX M8X20 SS W/THD LCK	
4	56004136	1	SCR HEX M6X16 SS W/THD LCK	
5	56120205	1	HARNESS-TRACTION	
6	56120244	1	BRACKET-TRACTION HARNESS	
7	56120502	1	CONTROLLER-DRIVE BRUSHED DC	
8	56478523	2	CABLE TIE E00549	
9	56496276	2	CLAMP, HOSE SUPPORT	
10	56601686	1	FERRITE BEAD	
11	1467025000	1	TIE CABLE 2.9X130 BLACK 10 PCS SET	
12	9100001351	1	WASHER PLAIN M8 ISO7089 SS 10 PCS SET	
13	L08603682	1	Hex nut selflocking SS M	
14	L08603685	4	HEX NUT SELF LOCKING SS	
15	L08603689	1	WASHER 6X18X1.5 UNI6593	
			Service Kits	
K1	56117835	1	36V CONTACTOR KIT	



Battery Connection Kit

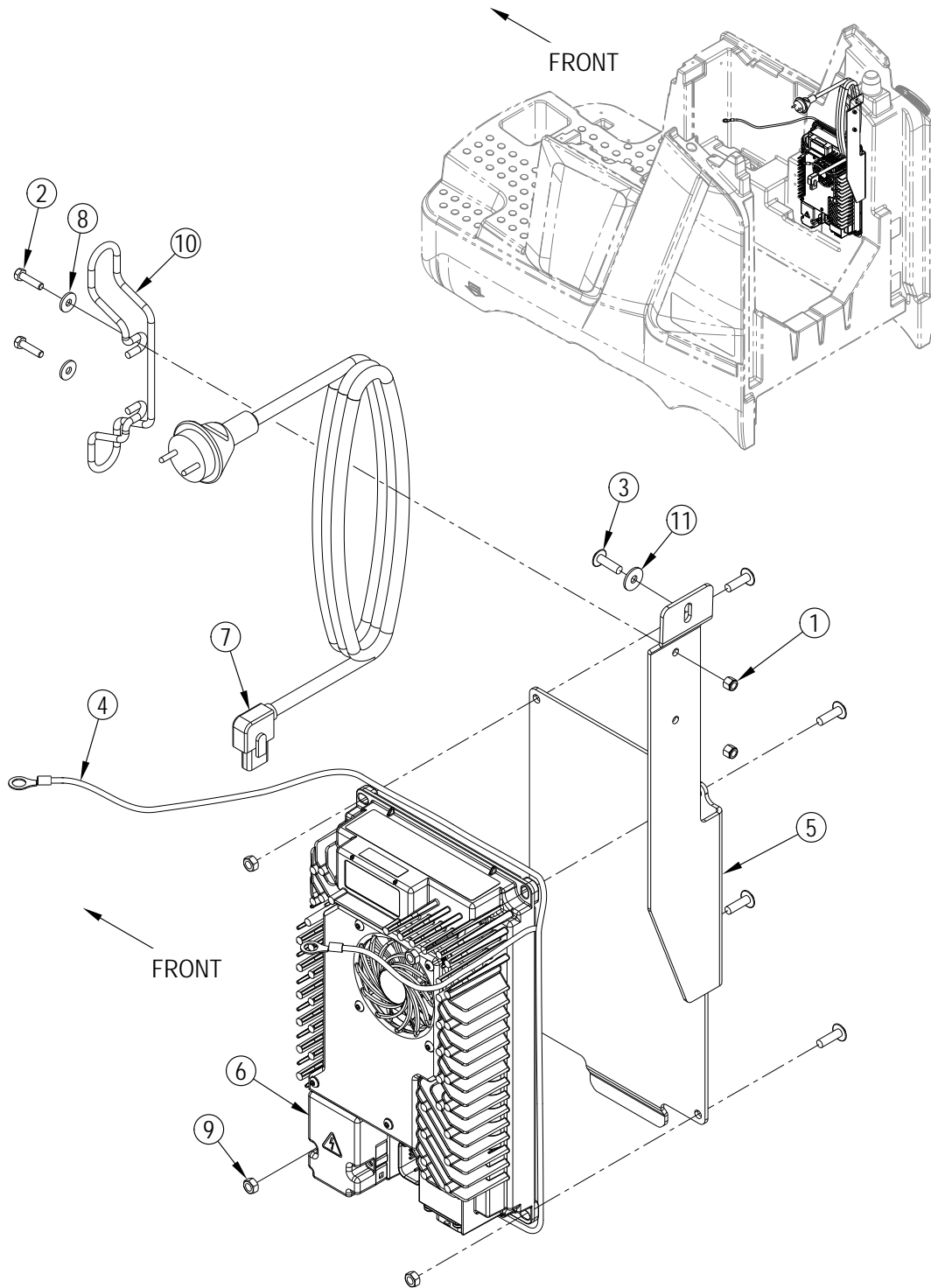
SC4000 710C NIL

2022.12.21

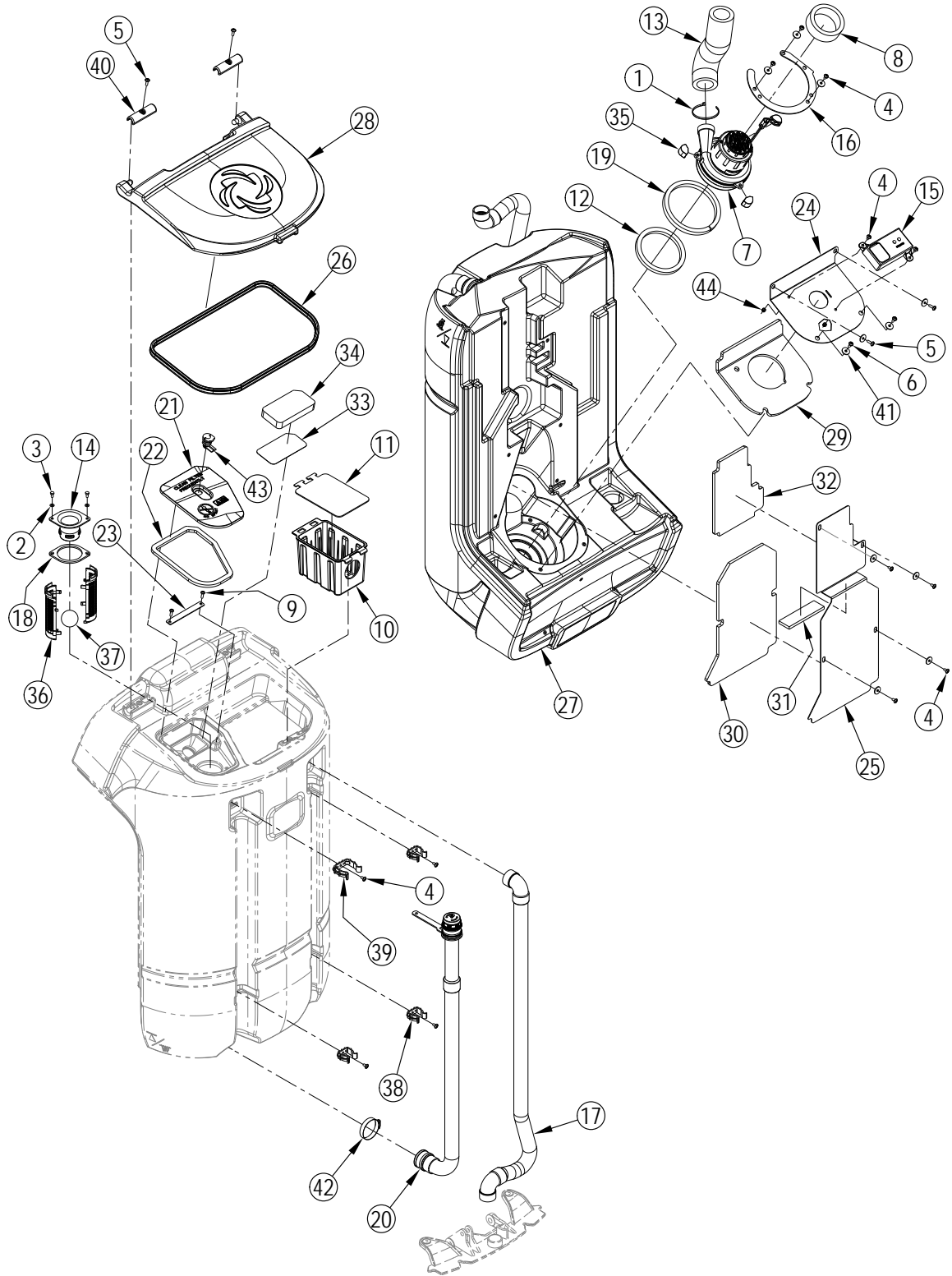
2022.12.22

No.	Part No.	Qty.	Description	Part Note
1	910000882	4	CLAMP BATTERY POLE PLUS	
2	910000883	4	CLAMP BATTERY POLE	
3	2-00-05171	4	BOOT PROTECTIVE RED	
4	2-00-05173	4	BOOT PROTECTIVE BLK	
5	56314119	1	SPACER BATTERY	
6	56394486	1	SPACER-BATTERY-13.0X3.0X5.0	
7	56409485	2	CABLE ASSY.1 X 15.00	

No.	Part No.	Qty.	Description	Part Note
1	56394927	1	BRACKET-PUMP COVER	
2	56003638	1	WSH FLT SS M6	
3	56004083	1	SCR HEX M6X12 SS W/THD LCK	
4	56110742	1	PUMP DETERGENT 12V	
5	56111870	1	HOSE-27.00 IN CHEM RESISTANT	
6	56116611	1	CABLE TIE MOUNT	
7	56116801	1	DECAL-CHEMICAL RATIO	
8		2	Decal-Advance Sc4000-Ecofl ex	
9	56120185	2	DECAL-NILFISK SC4000-ECOFLEX	
10	56120186	1	BRACKET-DETERGENT BOTTLE	
11	56306169	1	HOSE CHEM RESISTANT 17.00	
12	56314982	1	REDUCER BARB	
13	56315523	1	CAP DRY BREAK 1/8 BARB	
14	56315527	1	INSERT DRY BREAK	
15	56315690	1	CAP 38MM BUTTRESS	
16	56601544	1	CHEMICAL BOTTLE ASSEMBLY	
17	33023593	1	CLAMP HOSE 8-16/9	
18	9100001512	1	CAP PLASTIC F CHEMICAL TANK	



No.	Part No.	Qty.	Description	Part Note
All	56117870	1	ONBOARD CHARGER KIT-36V-EURO	
All	56120180	1	ONBOARD CHARGER KIT-36V-KOREA	
1	56003402	2	NUT HEX NYL LOC M5 X 0.80	
2	56003427	2	SCR HEX M5-0.80 X 20MM	
3	56004101	5	SCR TRX M6X20 W/THD LCK BLK	
4		1	HARNES-CHARGER	
5	56117425	1	BRACKET-ONBOARD CHARGER MOUNT	
6		1	CHARGER-ON BOARD-36V	
7	56383867	1	CORD-AC SCHUKO IEC320 - DELTAQ	
8	1458280000	2	WSH	
9	1459960000	4	NUT M6 SS	
10	1466317000	1	SUPPORT CABLE KIT	
11	1466530000	1	WASHER PLAIN M6X18	

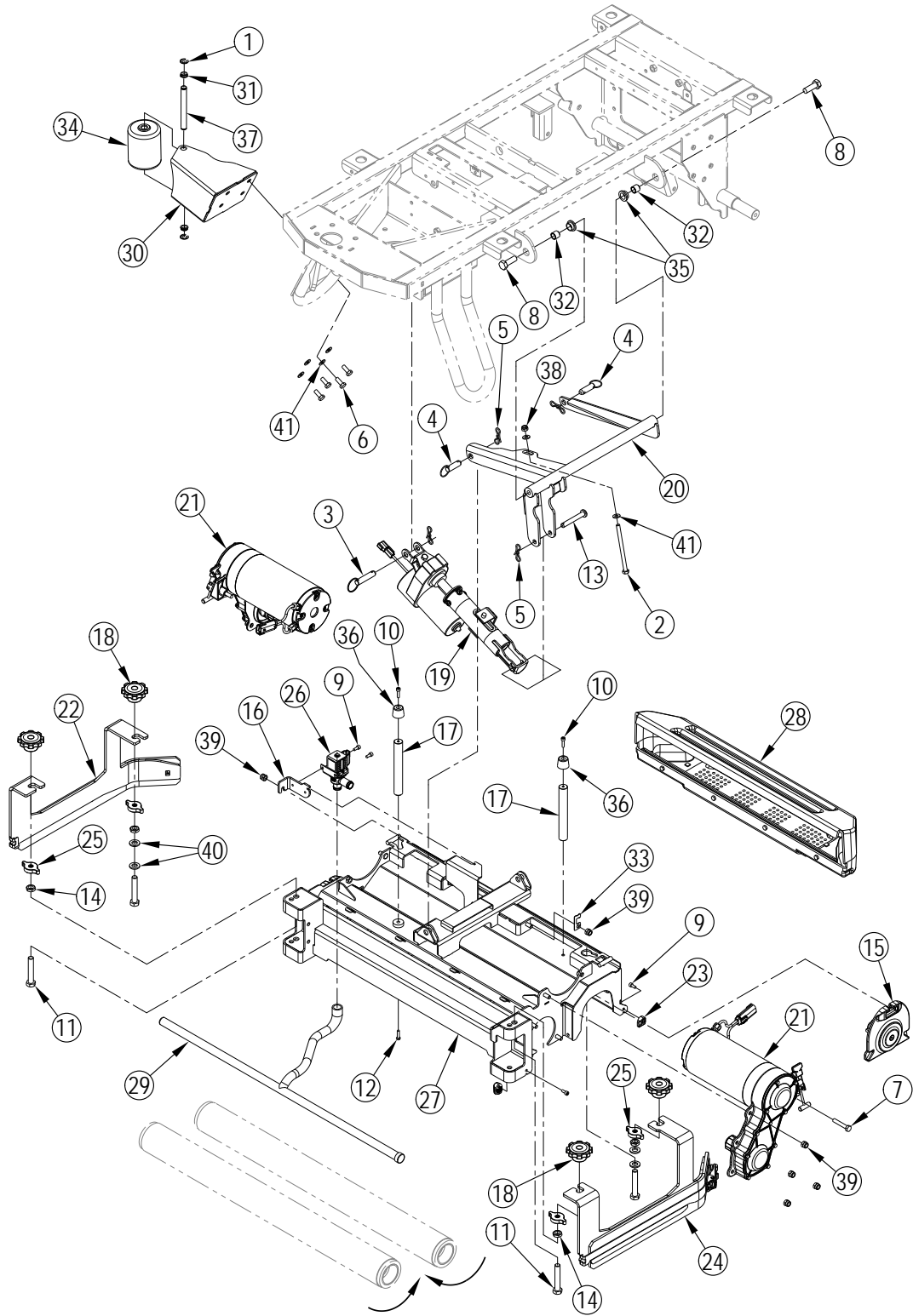


No.	Part No.	Qty.	Description	Part Note
1	33003513	1	TIE CABLE 4.8X290 BLACK	
2	33005875	2	WASHER M6 UNI6592 SS	
3	56004083	2	SCR HEX M6X12 SS W/THD LCK	
4		13	Scr Trx M6x12 W/Thd Lck Blk	[1]
5		4	Scr Trx M6x20 W/Thd Lck Blk	[2]
6		2	Scr Trx M6x16 W/Thd Lck Blk	[3]
7		1	Motor-Vacuum 36vdc	[4]
7		1	Motor-Vacuum 36vdc-HP	[5]
8		1	Seal-Inlet	[6]
9	56116800	2	SCREW M6X20 WN1451 BLACK ZN	
10	56117529-Sp	1	DEBRIS TRAY	
11	56117530-Sp	1	COVER-DEBRIS TRAY	
12		1	Gasket-Vac Inlet	[6]
13	56117532	1	FOAM TUBE-EXHAUST	
14		1	Mount-Float Cage	[7]
15	56117538-SP	1	RESONATOR-VACUUM INLET	
16	56117539-SP	1	RETAINER-VACUUM MOTOR	
17	56117543	1	SQUEEGEE HOSE ASSEMBLY	
18		1	Gasket-Float Cage	[7]
19		1	Gasket-Vac Housing	[6]
20	56117789-Sp	1	HOSE ASSY-DRAIN-PU-1.5-BLACK	
21		1	Cover-Filter	[8]
22		1	Gasket-Filter Cover	[8]
23	56120084	1	PLATE-COVER LATCH	
24		1	Panel-Upper-Vacuum Exhaust	[3]
25		1	Panel-Lower-Vacuum Exhaust	[9]
26		1	Seal-Recovery Cover	[10]
27	56120088	1	TANK-RECOVERY	
28		1	Cover-Recovery Tank	[10]
29		1	Foam-Sound-Vac Cover	[3]
30		1	Foam-Sound-Vac Exhaust-Upper	[9]
31		1	Foam-Sound-Vac Exhaust-Mid	[9]
32		1	Foam-Sound-Vac Exhaust-Lower	[9]
33	56314372	1	SCREEN FILTER	
34	56314373	1	FILTER	
35		3	Mount, Vibration	[6]
36		2	Cage, Float Half	[7]
37		1	Ball- Floating	[7]
38	56392171	3	CLAMP, PLASTIC	
39	56396199	1	CLAMP PLASTIC	
40		2	Hinge Clamp	[10]
41		11	Washer Plain M6x24x2 Ss Iso7093	[11]
42	146 0771 000	1	CLAMP	
43		1	Latch With Fold Away	[8]
44	L08603682	2	Hex nut selflocking SS M	
			Service Kits	
K1	56117992	1	FLOAT CAGE KIT	
K2	56120313	1	VACUUM MOTOR KIT-STANDARD	
K3	56120314	1	RECOVERY TANK LID KIT	
K4	56120315	1	FILTER COVER KIT	
K5	56120316	1	LOWER VACUUM EXHAUST PANEL KIT	
K6	56120317	1	UPPER VACUUM EXHAUST PANEL KIT	
K7	56120261	1	VACUUM KIT-HIGH POWER	

Part Notes:

- [1] - K1,K5
 [2] - K3,K6
 [3] - K6

-
- [4] - K2
Service Kit 56120313 should be ordered if you have the Standard Vacuum Motor on your Recovery System. (M30, M30)
 - [5] - K7
Service Kit 56120261 should be ordered if you have the High Power Vacuum Motor on your Recovery System. (M30, M30)
 - [6] - K2
 - [7] - K1
 - [8] - K4
 - [9] - K5
 - [10] - K3
 - [11] - K5,K6

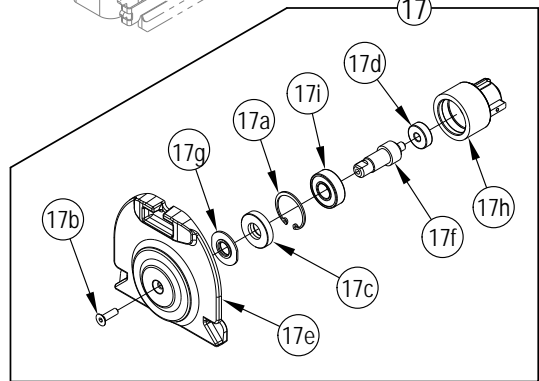
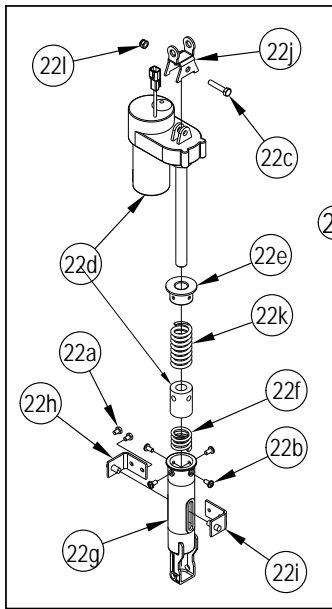
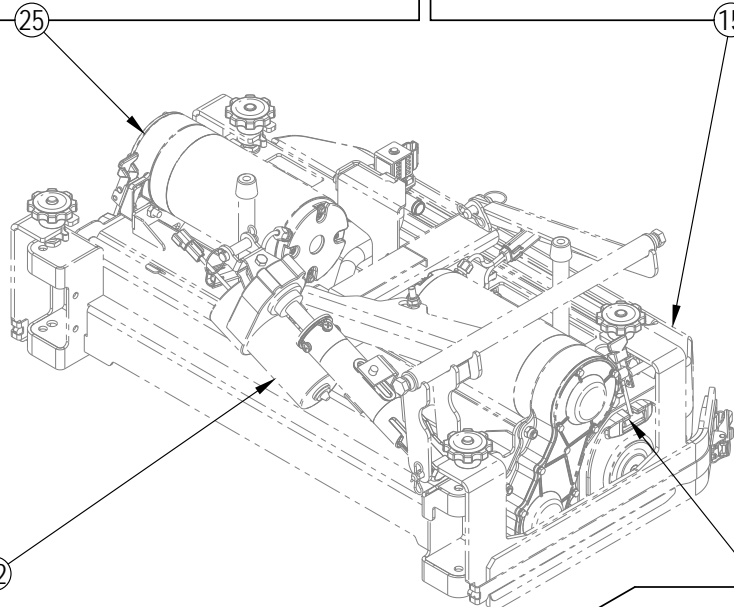
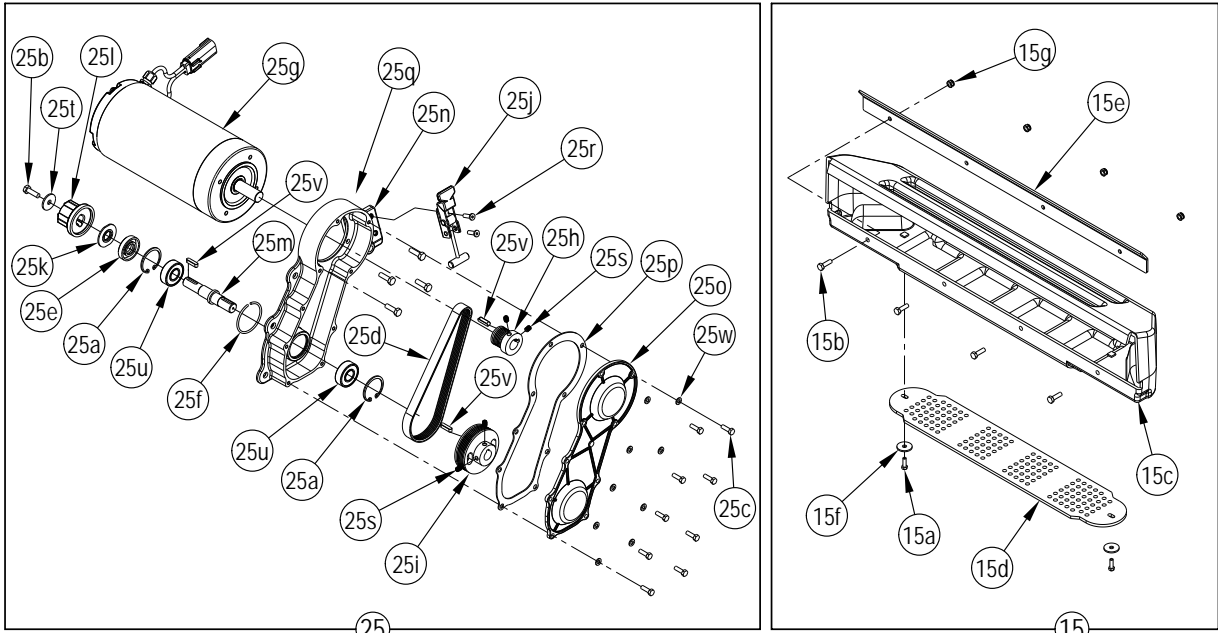


No.	Part No.	Qty.	Description	Part Note
1		2	Ring, Ret Ext Type E 0.50 Dia	[1]
2	56003462	1	SCR HEX SS M8-1.25X120MM	
3		1	Pin, Ring .50 X 1.63	[2]
4		2	Pin, Ring .500 X 1.18	[3]
5		4	Pin-Bow-Tie Cot 7/16-1/2x.091	[4]
6		4	Scr Hex M8x20 Ss W/Thd Lck	[5]
7		2	Scr Hex M8x45 Ss W/Thd Lck	[6]
8		2	Scr Hex M12x35 Ss W/Thd Lck	[3]
9		6	Scr Trx M5x12 Skt Ss W/Thd Lck	[7]
10		2	Scr Trx M5x20 Skt Ss W/Thd Lck	[8]
11	56003658	4	SCR THD TO HD SS M12-1.75	[9]
12	56004161	2	SCR HEX M5X20 SS W/ THD LCK	
13		1	Pin-Clevis 10x70 Iso2341-B	[4]
14	56003657	4	NUT, HEX JAM M12-1.75	[9]
15	56117318-Sp	2	IDLER ASSEMBLY-CYLINDRICAL	
16		1	Plate-Valve	[7]
17		2	Rod-Up Stop-20mm-148mm	[8]
18	56380149	4	KNOB M12 1.75 THRU	[9]
19		1	Actuator Assy-Cyl Deck	[10]
20		1	Deck Linkage Weldment	[3]
21	56120292	2	DRIVE ASSEMBLY-CYL-5.75IN KIT	
22		1	Side Blade Assembly-Fixed-Rt	[11]
23	56117772-SP	4	GUIDE-WEAR	
24		1	Side Blade Assembly-Fixed-Lt	[11]
25	56601578	4	KNOB	[11]
26		1	Valve-Solenoid-36vdc	[7]
27		1	Cyl Deck Weldment-28 In	[6]
28	56120122	1	HOPPER ASSEMBLY 28"	
29	56120125	1	APPLICATOR TUBE ASSY-28 IN	
30		1	Roller Weldment-28c	[5]
31		2	Bearing, Flange	[1]
32		2	Bushing	[3]
33	56384494	2	CLIP-MOUNT-TIE DOWN	
34		1	Wheel, Roller	[1]
35		2	Bearing, Flange	[3]
36		2	Up Stop Mount	[8]
37		1	Pin	[1]
38	145 0452 000	1	NUT SELFLOCKING LOW M8	
39		11	Nut Lock Hex M8 Ss Iso7040	[6]
40	33003720	4	WASHER M12 UNI6592	[12]
41		6	Washer Plain M8x16 Ss Iso7089	[5]
			Service Kits	
K1	56117919	1	CYLINDRICAL DECK ACTUATOR KIT	
K2	56117898	1	SOLENOID VALVE KIT	
K3	56117899	1	UP STOP KIT	
K4	56120318	1	28 CYL DECK WELDMENT KIT	
K5	56117901	1	LEFT BLADE KIT	
K6	56117902	1	RIGHT BLADE KIT	
K7	56117903	1	ROLLER WHEEL KIT	
K8	56120319	1	28C ROLLER KIT	
K9	56117911	1	DECK LINKAGE KIT	

Part Notes:

- [1] - K7,K8
- [2] - K1
- [3] - K9
- [4] - K1,K9
- [5] - K8

- [6] - K4
- [7] - K2
- [8] - K3
- [9] - K4,K5,K6
- [10] - K1 (M27)
- [11] - K5,K6
- [12] - K4,K6



Scrub System-Cylindrical-Deck Assemblies-710C

SC4000 710C NIL

2022.12.21

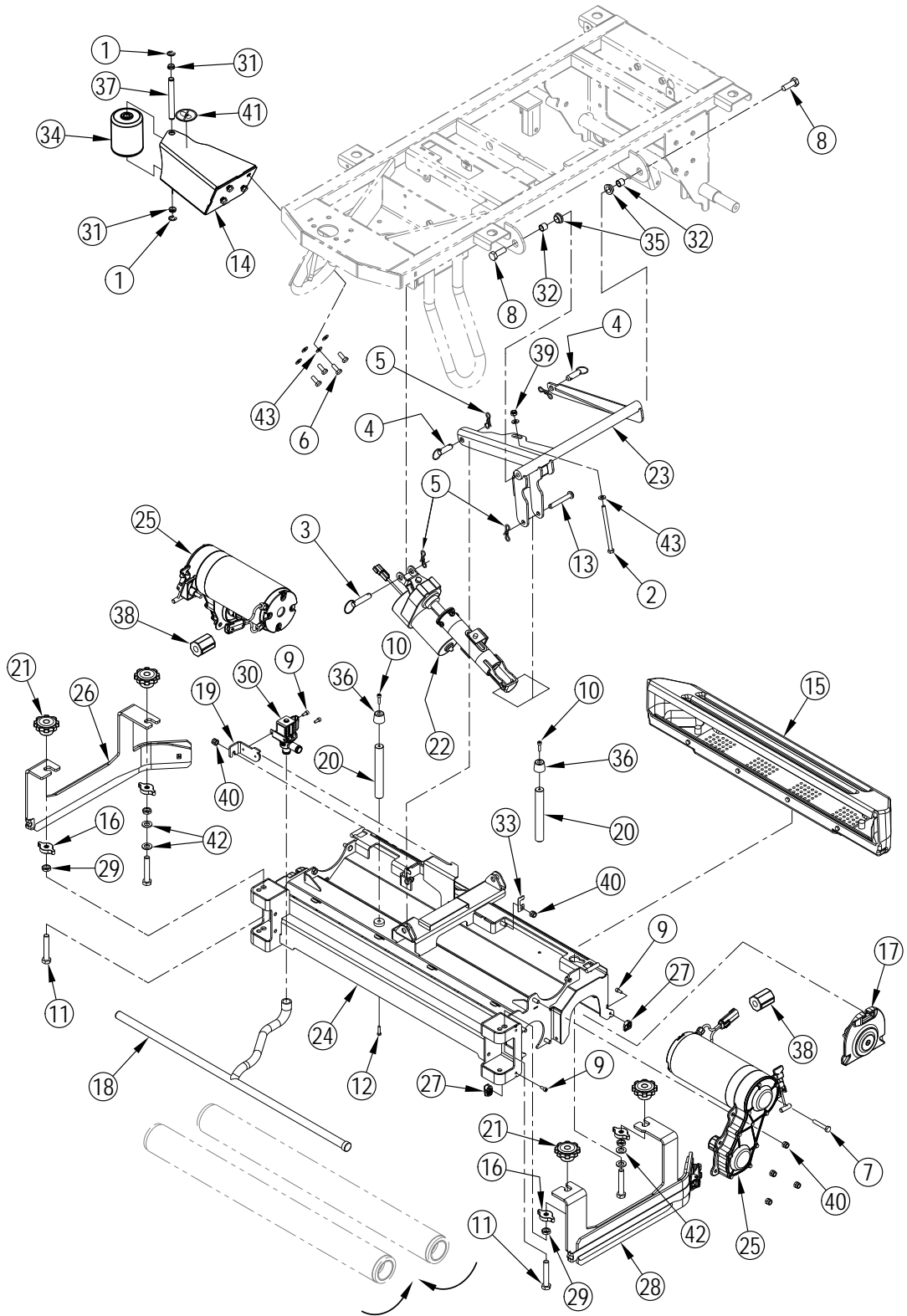
2023.01.23

No.	Part No.	Qty.	Description	Part Note
15	56120122	1	HOPPER ASSEMBLY 28"	
15a		2	Scr-Hex Loc Ss M5-0.8 X 16mm	[1]
15b	56004084	4	SCR HEX M6X20 SS W/THD LCK	
15c		1	Hopper-Cylindrical-28in	
15d		1	Screen-Hopper-28in	[1]
15e	56120129	1	BRACKET-HOPPER-28IN	
15f		2	Washer Plain M6x24x2 Ss Iso7093	[1]
15g	L08603682	4	Hex nut selflocking SS M	
17	56117318-Sp	2	IDLER ASSEMBLY-CYLINDRICAL	
17a	33006165	1	RING D 35 UNI7437	
17b	33023604	1	SCREW M6X20 C/SUNK FLAT HEX SS ISO10642	
17c	56117136-SP	1	SEAL-BEARING-15MM X 35MM X 7MM	
17d	56117198-SP	1	BEARING-BALL-8MM X 24MM X 8MM	
17e	56117317-Sp	1	CASTING-IDLER END-CYLINDRICAL	
17f	56117563	1	SPINDLE-IDLER END-CYLINDRICAL	
17g	56117564-Sp	1	WASHER-BEARING	
17h	56117904	1	LUG-IDLER-CYL DECK	
17i	145 2361 000	1	BALL BEARING 6206 2RS1	
22	56117919	1	CYLINDRICAL DECK ACTUATOR KIT	[2]
22a	56009019	2	SCR HEX THD FORM	
22b	56009062	4	SCR PHIL THD1/4-20X-20X.5	
22c	56116853	1	SCREW M8X40 UNI5739 SS	
22d	56117499-Sp	1	ACTUATOR-DECK	
22e	56396268	1	SPRING HOUSING GUIDE	
22f	56412071	1	COMPRESSION SPRING	
22g	56412262	1	HOUSING SPRING	
22h	56420019	1	NUT RETAINER WELDMENT	
22i	56420020	1	NUT RETAINER WELDMENT	
22j	56601328	1	YOKE ACTUATOR	
22k	56601470	1	COMPRESSION SPRING	
22l	145 0452 000	1	NUT SELFLOCKING LOW M8	
25	56120292	2	DRIVE ASSEMBLY-CYL-5.75IN KIT	
25a	33006165	2	RING D 35 UNI7437	[3]
25b		5	Scr Hex M6x20 Ss W/Thd Lck	[4]
25c		9	Scr Hex M5x16 Ss W/Thd Lck	[5]
25d		1	Belt-Auto Tension	[5]
25e	56117136-SP	1	SEAL-BEARING-15MM X 35MM X 7MM	[3]
25f	56117148-Sp	1	RING-RET EXT-ROUND-45MM	[3]
25g		1	Motor-36vdc-1900rpm-550w	[4]
25h		1	Sheave-Poly-V-27.25mm	[6]
25i		1	Sheave-Poly V	[7]
25j		1	Latch-Draw	[8]
25k	56117564-Sp	1	WASHER-BEARING	[3]
25l	56117565-Sp	1	LUG-DRIVE END	
25m	56117566	1	SPLINDLE-DRIVE END-CYLINDRICAL	[3]
25n	56117760-Sp	1	HOUSING-CYLINDRICAL DRIVE	[3]
25o		1	Cover-Belt Housing	[5]
25p	56117762-SP	1	GASKET-DRIVE HOUSING-CYL	[5]
25q	56117785-SP	1	PLATE-NUT-LATCH	[8]
25r		2	Scr-Soc Hd-Low Prfl-M5x16-Znc	[8]
25s		4	Scr-Soc-Set Cup M6x8 Iso4029	[9]
25t	9100001272	1	WASHER PLAIN M6X24 SS	
25u	145 2361 000	2	BALL BEARING 6206 2RS1	[3]
25v		3	Key 5x5x20	[10]
25w		9	Washer Plain M5x10 Ss Iso7089	[5]
			Service Kits	
K12	56120320	1	HOPPER SCREEN KIT-28	
K13	56117459	1	MOTOR KIT-CYL DECK	

No.	Part No.	Qty.	Description	Part Note
K14	56117460	1	LATCH KIT-CYL	
K15	56117461	1	MOTOR SHEAVE KIT	
K16	56117462	1	BELT AUTO TENSION KIT	
K17	56117463	1	DRIVE SHEAVE KIT	
K18	56120333	1	DRIVE HOUSING KIT-CYL-5.75IN	

Part Notes:

- [1] - K12
- [2] - (M27)
- [3] - K18
- [4] - K13
- [5] - K16
- [6] - K15
- [7] - K17
- [8] - K14
- [9] - K15,K17
- [10] - K13,K15

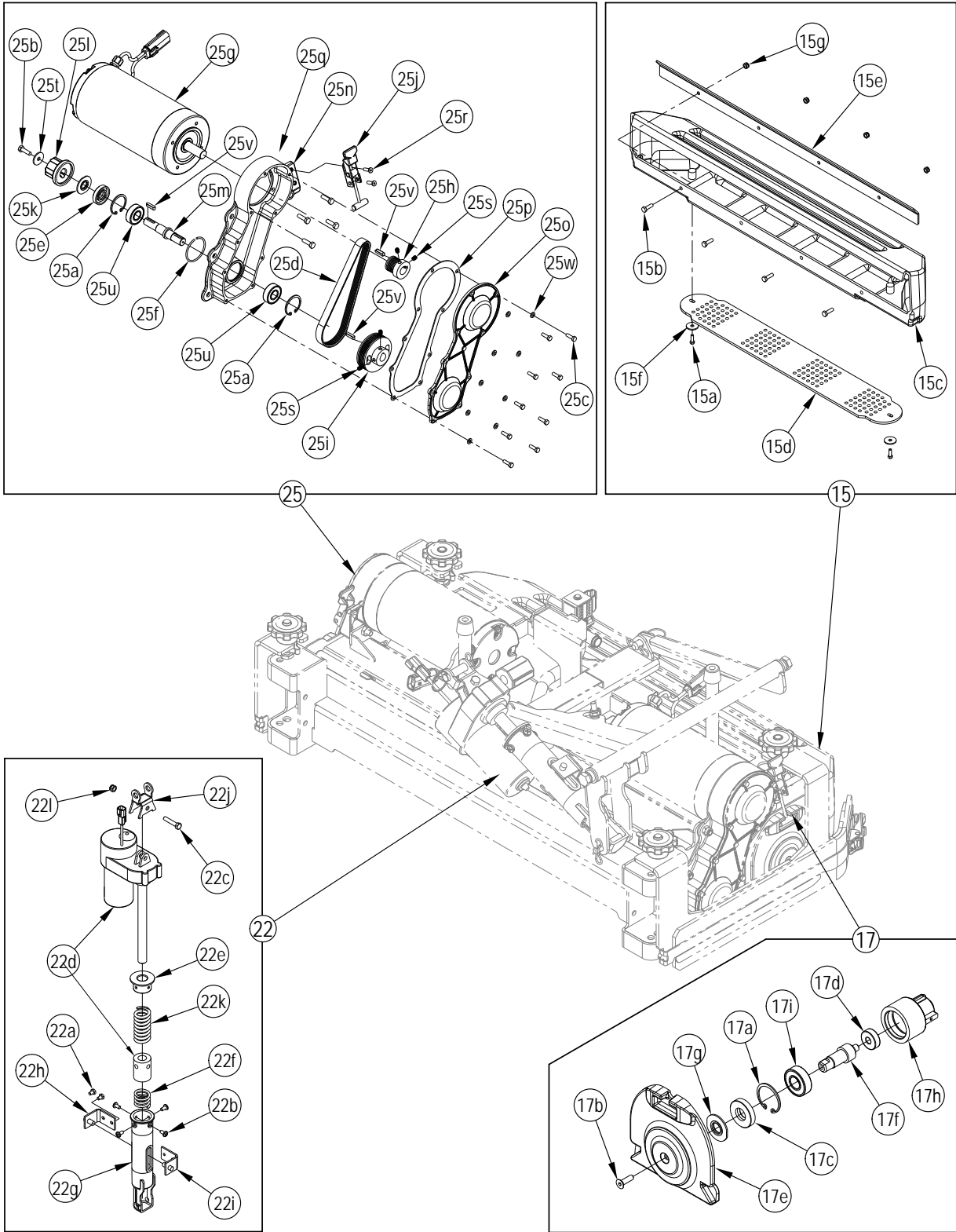


No.	Part No.	Qty.	Description	Part Note
1		2	Ring, Ret Ext Type E 0.50 Dia	[1]
2	56003462	1	SCR HEX SS M8-1.25X120MM	
3		1	Pin, Ring .50 X 1.63	[2]
4	56003786	2	PIN RING .500 x 1.18	[3]
5		4	Pin-Bow-Tie Cot 7/16-1/2x.091	[4]
6		4	Scr Hex M8x20 Ss W/Thd Lck	[5]
7		2	Scr Hex M8x45 Ss W/Thd Lck	[6]
8		2	Scr Hex M12x35 Ss W/Thd Lck	[3]
9		6	Scr Trx M5x12 Skt Ss W/Thd Lck	[7]
10		2	Scr Trx M5x20 Skt Ss W/Thd Lck	[8]
11	56003658	4	SCR THD TO HD SS M12-1.75	[9]
12	56004161	2	SCR HEX M5X20 SS W/ THD LCK	
13		1	Pin-Clevis 10x70 Iso2341-B	[4]
14		1	Roller Weldment	[5]
15	56117313-Sp	1	HOPPER ASSEMBLY-32IN	
16	56601578	4	KNOB	[9]
17	56117318-Sp	2	IDLER ASSEMBLY-CYLINDRICAL	
18	56117362-Sp	1	APPLICATOR TUBE ASSY-32 IN	
19	56117455-SP	1	PLATE-VALVE	[7]
20		2	Rod-Up Stop-20mm-148mm	[8]
21	56380149	4	KNOB M12 1.75 THRU	[10]
22		1	Actuator Assy-Cyl Deck	[11]
23		1	Deck Linkage Weldment	[3]
24		1	Cyl Deck Weldment-32in	[6]
25	56120292	2	DRIVE ASSEMBLY-CYL-5.75IN KIT	
26		1	Side Blade Assembly-Fixed-Rt	[12]
27	56117772-SP	4	GUIDE-WEAR	
28		1	Side Blade Assembly-Fixed-Lt	
29	56003657	4	NUT, HEX JAM M12-1.75	[10]
30		1	Valve-Solenoid-36vdc	[7]
31		2	Bearing, Flange	[1]
32		2	Bushing	[3]
33	56384494	2	CLIP-MOUNT-TIE DOWN	
34		1	Wheel, Roller	[1]
35		2	Bearing, Flange	[3]
36		2	Up Stop Mount	[8]
37		1	Pin	[1]
38	56601686	2	FERRITE BEAD	
39	145 0452 000	1	NUT SELFLOCKING LOW M8	
40		11	Nut Lock Hex M8 Ss Iso7040	[6]
41	56016163	1	DECAL NO STEP	[5]
42	33003720	4	WASHER M12 UNI6592	[10]
43		6	Washer Plain M8x16 Ss Iso7089	[5]
			Service Kits	
K1	56117919	1	CYLINDRICAL DECK ACTUATOR KIT	
K2	56117898	1	SOLENOID VALVE KIT	
K3	56117899	1	UP STOP KIT	
K4	56117900	1	32 CYL DECK WELDMENT KIT	
K5	56117901	1	LEFT BLADE KIT	
K6	56117902	1	RIGHT BLADE KIT	
K7	56117903	1	ROLLER WHEEL KIT	
K8	56117915	1	ROLLER KIT	
K9	56117911	1	DECK LINKAGE KIT	

Part Notes:

- [1] - K7,K8
- [2] - K1
- [3] - K9

- [4] - K1,K9
- [5] - K8
- [6] - K4
- [7] - K2
- [8] - K3
- [9] - K4,K5,K6
- [10] - K5,K6
- [11] - K1
(M27)
- [12] - K6



Scrub System-Cylindrical-Deck Assemblies-810C

SC4000 710C NIL

2022.12.21

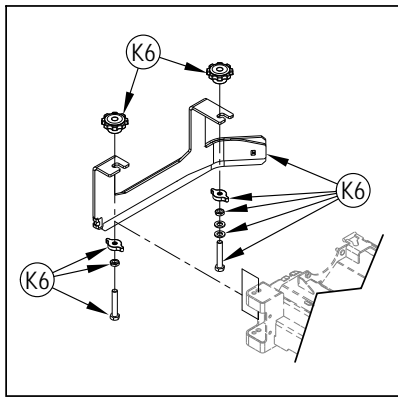
2023.01.23

No.	Part No.	Qty.	Description	Part Note
15	56117313-Sp	1	HOPPER ASSEMBLY-32IN	
15a		2	Scr-Hex Loc Ss M5-0.8 X 16mm	[1]
15b	56004084	4	SCR HEX M6X20 SS W/THD LCK	
15c		1	Hopper-Cylindrical-32in	[1]
15d		1	Screen-Hopper-32in	
15e	56117314	1	BRACKET-HOPPER-32IN	
15f		2	Washer Plain M6x24x2 Ss Iso7093	[1]
15g	L08603682	4	Hex nut selflocking SS M	
17	56117318-Sp	2	IDLER ASSEMBLY-CYLINDRICAL	
17a	33006165	1	RING D 35 UNI7437	
17b	33023604	1	SCREW M6X20 C/SUNK FLAT HEX SS ISO10642	
17c	56117136-SP	1	SEAL-BEARING-15MM X 35MM X 7MM	
17d	56117198-SP	1	BEARING-BALL-8MM X 24MM X 8MM	
17e	56117317-Sp	1	CASTING-IDLER END-CYLINDRICAL	
17f	56117563	1	SPINDLE-IDLER END-CYLINDRICAL	
17g	56117564-Sp	1	WASHER-BEARING	
17h	56117904	1	LUG-IDLER-CYL DECK	
17i	145 2361 000	1	BALL BEARING 6206 2RS1	
22		1	Actuator Assy-Cyl Deck (M27)	
22a	56009019	2	SCR HEX THD FORM	
22b	56009062	4	SCR PHIL THD1/4-20X-20X.5	
22c	56116853	1	SCREW M8X40 UNI5739 SS	
22d	56117499-Sp	1	ACTUATOR-DECK	
22e	56396268	1	SPRING HOUSING GUIDE	
22f	56412071	1	COMPRESSION SPRING	
22g	56412262	1	HOUSING SPRING	
22h	56420019	1	NUT RETAINER WELDMENT	
22i	56420020	1	NUT RETAINER WELDMENT	
22j	56601328	1	YOKE ACTUATOR	
22k	56601470	1	COMPRESSION SPRING	
22l	145 0452 000	1	NUT SELFLOCKING LOW M8	
25	56120292	2	DRIVE ASSEMBLY-CYL-5.75IN KIT	
25a	33006165	2	RING D 35 UNI7437	[2]
25b		5	Scr Hex M6x20 Ss W/Thd Lck	[3]
25c		9	Scr Hex M5x16 Ss W/Thd Lck	[4]
25d		1	Belt-Auto Tension	[4]
25e	56117136-SP	1	SEAL-BEARING-15MM X 35MM X 7MM	[2]
25f	56117148-Sp	1	RING-RET EXT-ROUND-45MM	[2]
25g		1	Motor-36vdc-1900rpm-550w	[3]
25h		1	Sheave-Poly-V-27.25mm	[5]
25i		1	Sheave-Poly V	[6]
25j		1	Latch-Draw	[7]
25k	56117564-Sp	1	WASHER-BEARING	[2]
25l	56117565-Sp	1	LUG-DRIVE END	
25m	56117566	1	SPLINDLE-DRIVE END-CYLINDRICAL	[2]
25n	56117760-Sp	1	HOUSING-CYLINDRICAL DRIVE	[2]
25o		1	Cover-Belt Housing	[4]
25p	56117762-SP	1	GASKET-DRIVE HOUSING-CYL	[4]
25q	56117785-SP	1	PLATE-NUT-LATCH	[7]
25r		2	Scr-Soc Hd-Low Prfl-M5x16-Znc	[7]
25s		4	Scr-Soc-Set Cup M6x8 Iso4029	[8]
25t	9100001272	1	WASHER PLAIN M6X24 SS	
25u	145 2361 000	2	BALL BEARING 6206 2RS1	[2]
25v		3	Key 5x5x20	[9]
25w		9	Washer Plain M5x10 Ss Iso7089	[4]
			Service Kits	
K12	56117458	1	HOPPER SCREEN KIT-32C/36C	
K13	56117459	1	MOTOR KIT-CYL DECK	

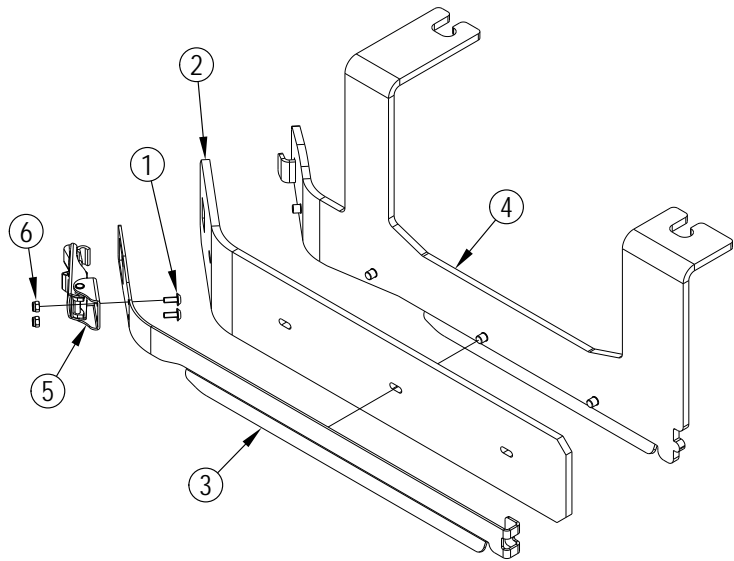
No.	Part No.	Qty.	Description	Part Note
K14	56117460	1	LATCH KIT-CYL	
K15	56117461	1	MOTOR SHEAVE KIT	
K16	56117462	1	BELT AUTO TENSION KIT	
K17	56117463	1	DRIVE SHEAVE KIT	
K18	56120333	1	DRIVE HOUSING KIT-CYL-5.75IN	

Part Notes:

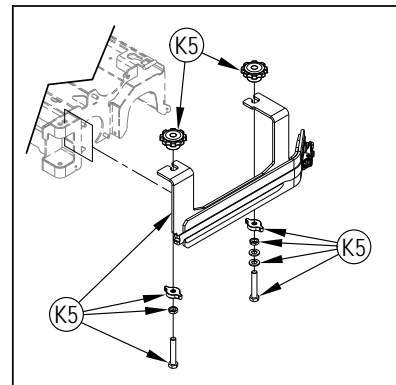
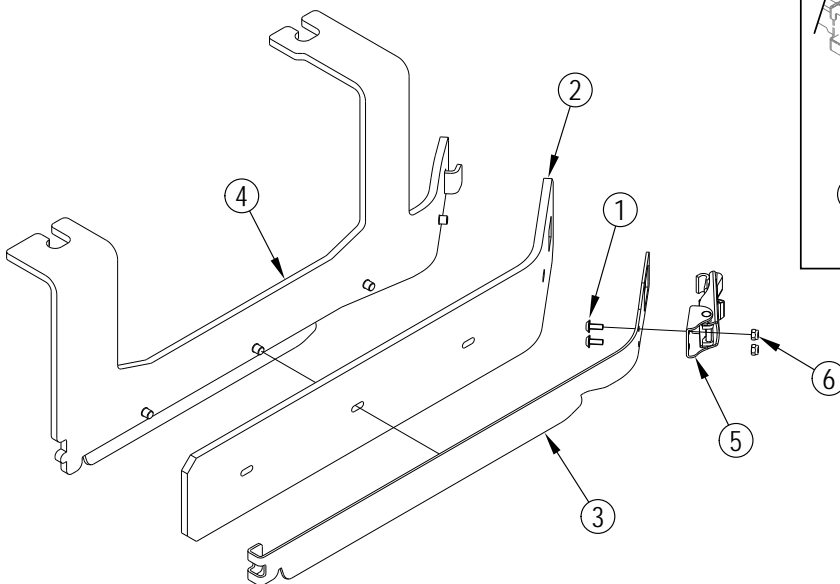
- [1] - K12
- [2] - K18
- [3] - K13
- [4] - K16
- [5] - K15
- [6] - K17
- [7] - K14
- [8] - K15,K17
- [9] - K13,K15



RIGHT FIXED SIDE BLADE ASSEMBLY



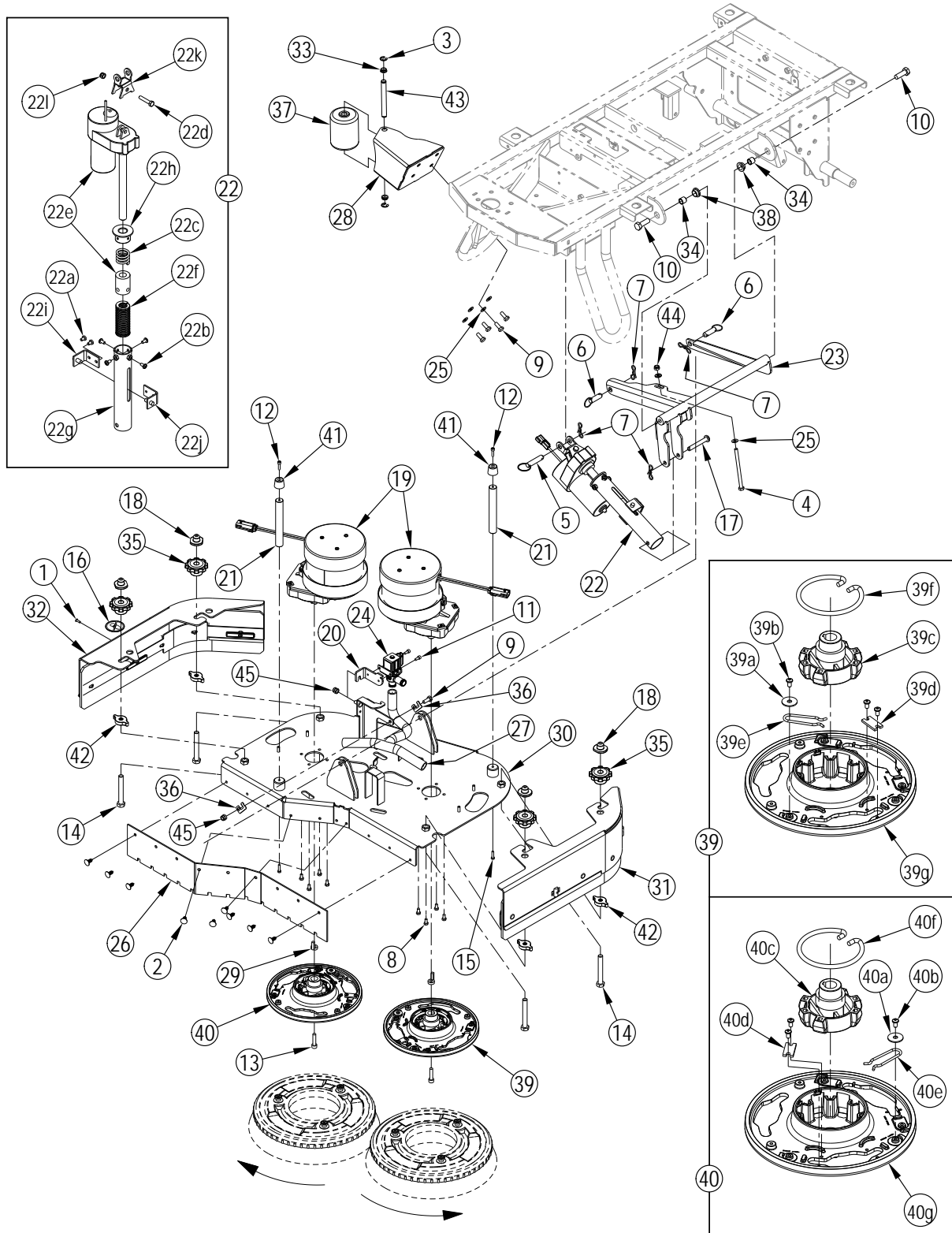
LEFT FIXED SIDE BLADE ASSEMBLY



No.	Part No.	Qty.	Description	Part Note
		1	Right Fixed Blade Kit	[1]
1	56004097	2	SCR TRX M4X10 BK ZC W/THD LCK	[2]
2	56117309-SP	1	BLADE-CYLINDRICAL-RED	
3	56117771	1	STRAP-SIDE BLADE-CYL-RIGHT	
4	56120364	1	SKIRT BRACKET WELDMENT	
5	56471194	1	LATCH ASSEMBLY	[2]
6	L08603685	2	HEX NUT SELF LOCKING SS	[2]
		1	Left Fixed Blade Kit	[3]
1	56004097	2	SCR TRX M4X10 BK ZC W/THD LCK	[4]
2	56117309-SP	1	BLADE-CYLINDRICAL-RED	
3	56117781	1	STRAP-SIDE BLADE-CYL-LEFT	
4	56120362	1	SKIRT BRACKET WELDMENT	
5	56471194	1	LATCH ASSEMBLY	[4]
6		2	Nut Lock Hex M4 Low Ss Iso10511	[4]
			Service Kits	
K6	56120487	1	RIGHT FIXED BLADE KIT	
K11	56117238	1	RH STRAP KIT-CYL	
K5	56120486	1	LEFT FIXED BLADE KIT	
K10	56117252	1	LH STRAP KIT-CYL	

Part Notes:

- [1] - K6
- [2] - K11
- [3] - K5
- [4] - K10

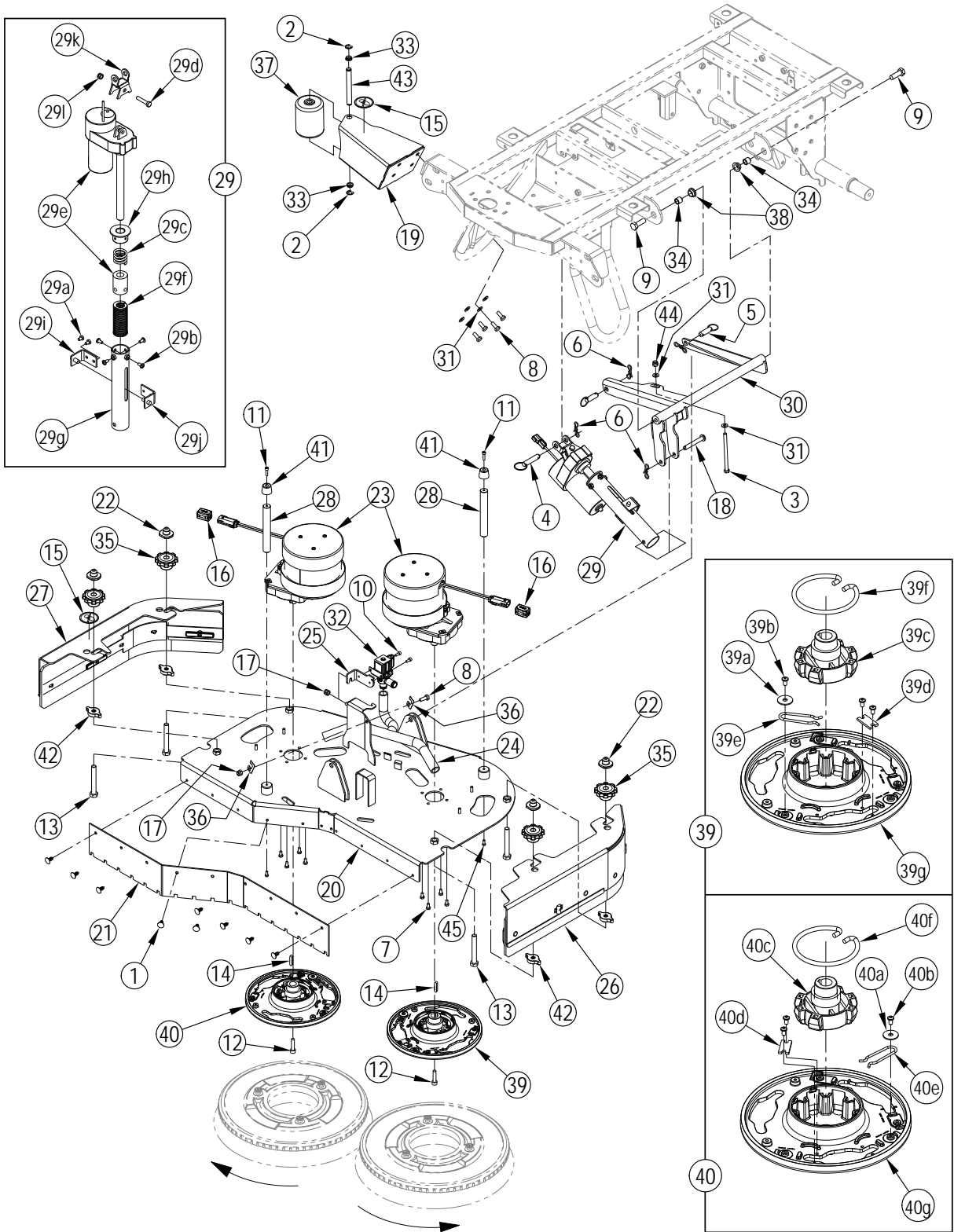


No.	Part No.	Qty.	Description	Part Note
1		2	Rivet, 0.156 Dia X 1/2	[1]
2		9	Rivet, Nylon Tree Push-In (.25)	[2]
3		2	Ring, Ret Ext Type E 0.50 Dia	[3]
4	56003462	1	SCR HEX SS M8-1.25X120MM	
5		1	Pin, Ring .50 X 1.63	[4]
6		2	Pin, Ring .500 X 1.18	[5]
7		4	Pin-Bow-Tie Cot 7/16-1/2x.091	[6]
8		8	Scr Hex M6x12 Ss W/Thd Lck	[7]
9		5	Scr Hex M8x20 Ss W/Thd Lck	[8]
10		2	Scr Hex M12x35 Ss W/Thd Lck	[5]
11		2	Scr Trx M5x12 Skt Ss W/Thd Lck	[9]
12		2	Scr Trx M5x20 Skt Ss W/Thd Lck	[10]
13		2	Scr Trx M8x35 Skt Ss W/Thd Lck	[11]
14		4	Scr Hex M12x90 Ss Iso4017	[12]
15		2	Scr Hex M5x20 Ss W/Thd Lck	[13]
16		1	Decal, No Step	[1]
17		1	Pin-Clevis 10x70 Iso2341-B	[6]
18		4	Cap-Side Skirt Holder	[14]
19		2	Motor-36vdc-250rpm-1hp	[15]
		1	Key, Square 1.25 X 1.44	[15]
20		1	Plate-Valve	[9]
21		2	Rod-Up Stop-20mm-148mm	[10]
22		1	Actuator Assy-Disk Deck	[4]
22a		2	Scr, Hex Thd Form 1/4-20 X .38	[16]
22b		4	Scr, Pan Phil Thd Form 1/4-20 X .50	[16]
22c		1	Spring-Compression 1.40x1.40in	[16]
22d	56116853	1	SCREW M8X40 UNI5739 SS	
22e	56117499-Sp	1	ACTUATOR-DECK	
22f		1	Spring-Compression-1.44x3.50in	[16]
22g		1	Spring Housing Weldment	[16]
22h		1	Spring Housing Guide	[16]
22i		1	Nut Retainer	[16]
22j		1	Nut Retainer	[16]
22k	56601328	1	YOKE ACTUATOR	
22l	145 0452 000	1	NUT SELFLOCKING LOW M8	
23		1	Deck Linkage Weldment	[5]
24		1	Valve-Solenoid-36vdc	[9]
25		6	Washer Plain M8x16 Ss Iso7089	[3]
26		1	Blade-Front-28d	[17]
27	56120119	1	HOSE-SOLUTION FEED DISK-28	
28		1	Roller Weldment-28d	[3]
29		2	Key Assembly Weldment	[11]
30		1	Scrub Deck Weldment-28d	[13]
31		1	Left Side Skirt Assy-28d	[18]
32		1	Right Side Skirt Assy-28d	[1]
33		2	Bearing, Flange	[3]
34		2	Bushing	[5]
35		4	Knob - M12-1.75 Thru	[14]
36		2	Clip-Mount-Tie Down	[13]
37		1	Wheel, Roller	[3]
38		2	Bearing, Flange	[5]
39		1	Brush Plate Assy	[19]
40		1	Brush Plate Assy	[20]
41		2	Up Stop Mount	[10]
42		4	Knob	[14]
43		1	Pin	[3]
44	145 0452 000	1	NUT SELFLOCKING LOW M8	
45		2	Nut Lock Hex M8 Ss Iso7040	[13]

No.	Part No.	Qty.	Description	Part Note
			Service Kits	
K3	56117473	1	UP STOP KIT	
K4	56117898	1	SOLENOID VALVE KIT	
K5	56117908	1	DISC SCRUB MOTOR KIT	
K6	56117909	1	DISK DECK ACTUATOR KIT	
K7	56117911	1	DECK LINKAGE KIT	
K8	56117917	1	RIGHT BRUSH PLATE KIT	
K9	56117918	1	LEFT BRUSH PLATE KIT	
K10	56120321	1	28 DISC DECK WELDMENT KIT	
K11	56120322	1	28D RIGHT SKIRT KIT	
K12	56120323	1	28D/28R LEFT SKIRT KIT	
K13	56120324	1	28D CLICK ON KIT	
K14	56120325	1	FRONT BLADE KIT	
K15	56120326	1	28D/28R ROLLER KIT	
K16	56118048	1	SPRING HOUSING KIT-ACTUATOR	

Part Notes:

- [1] - K11
- [2] - K10,K14
- [3] - K15
- [4] - K6
- [5] - K7
- [6] - K6,K7
- [7] - K3,K5,K10
- [8] - K10,K15
- [9] - K4
- [10] - K3
- [11] - K5,K8,K9,K10
- [12] - K10,K11,K12
- [13] - K10
- [14] - K11,K12
- [15] - K5
- [16] - K16
- [17] - K14
- [18] - K12
- [19] - K9
- [20] - K8

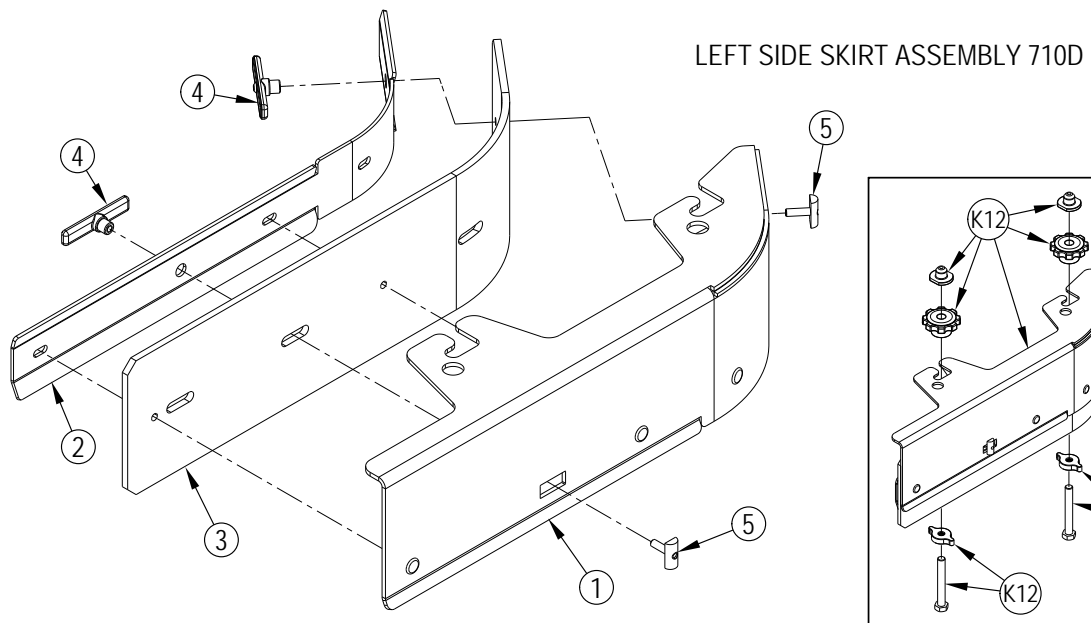
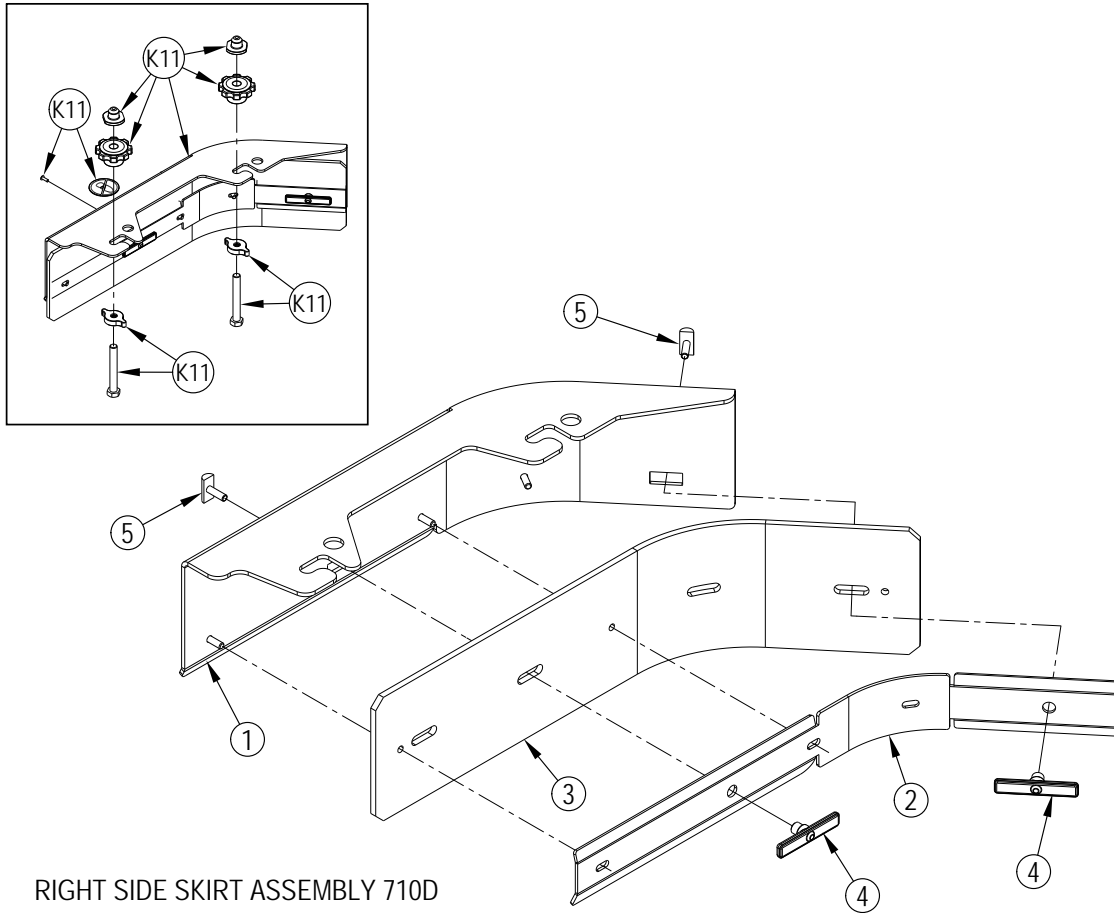


No.	Part No.	Qty.	Description	Part Note
1		9	Rivet, Nylon Tree Push-In (.25)	[1]
2		2	Ring, Ret Ext Type E 0.50 Dia	[2]
3	56003462	1	SCR HEX SS M8-1.25X120MM	
4		1	Pin, Ring .50 X 1.63	[3]
5		2	Pin, Ring .500 X 1.18	[4]
6		4	Pin-Bow-Tie Cot 7/16-1/2x.091	[5]
7		8	Scr Hex M6x12 Ss W/Thd Lck	[6]
8		5	Scr Hex M8x20 Ss W/Thd Lck	[7]
9		2	Scr Hex M12x35 Ss W/Thd Lck	[4]
10		2	Scr Trx M5x12 Skt Ss W/Thd Lck	[8]
11		2	Scr Trx M5x20 Skt Ss W/Thd Lck	[9]
12		2	Scr Trx M8x35 Skt Ss W/Thd Lck	[10]
13		4	Scr Hex M12x90 Ss Iso4017	[11]
14		2	Key Assembly Weldment	[12]
15		2	Decal, No Step	[13]
16	56115456	2	FERRITE BEAD	
17		2	Nut Lock Hex M8 Ss Iso7040	[14]
18		1	Pin-Clevis 10x70 Iso2341-B	[5]
19		1	Roller Weldment	[15]
20		1	Scrub Deck Weldment-34d	[14]
21		1	Blade-Front-34d	[16]
22	56117320-SP	4	CAP - SIDE SKIRT HOLDER	[17]
23		2	Motor-36vdc-250rpm-1hp	[18]
		1	Key, Square 1.25 X 1.44	[10]
24	56117333-SP	1	HOSE-SOLUTION FEED DISC28/34	
25	56117455-SP	1	PLATE-VALVE	[8]
26		1	Left Side Skirt Assy-34d	[19]
27		1	Right Side Skirt Assy-34d	[13]
28		2	Rod-Up Stop-20mm-148mm	[9]
29		1	Actuator Assy-Disk Deck	[3]
29a	56009019	2	SCR HEX THD FORM	[20]
29b	56009062	4	SCR PHIL THD1/4-20X-20X.5	[2]
29c	56116848	1	SPRING-COMPRESSION 1.40X1.40IN	[2]
29d	56116853	1	SCREW M8X40 UNI5739 SS	
29e	56117499-Sp	1	ACTUATOR-DECK	
29f	56118039	1	SPRING-COMPRESSION-1.44X3.5	[2]
29g	56118194	1	SPRING HOUSING WELDMENT	[2]
29h	56396268	1	SPRING HOUSING GUIDE	[2]
29i	56420019	1	NUT RETAINER WELDMENT	[2]
29j	56420020	1	NUT RETAINER WELDMENT	[2]
29k	56601328	1	YOKE ACTUATOR	
29l	145 0452 000	1	NUT SELFLOCKING LOW M8	
30		1	Deck Linkage Weldment	[4]
31		6	Washer Plain M8x16 Ss Iso7089	[15]
32		1	Valve-Solenoid-36vdc	[8]
33		2	Bearing, Flange	[2]
34		2	Bushing	[4]
35		4	Knob - M12-1.75 Thru	[17]
36		2	Clip-Mount-Tie Down	[14]
37		1	Wheel, Roller	[2]
38		2	Bearing, Flange	[4]
39		1	Brush Plate Assy	[21]
39a	56009002	1	WASHER FLAT	
39b	56009247	3	SCR PN PHIL PLASTITE 10	
39c	56112521	1	GIMBAL COLLAR ASSEMBLY	
39d	56366455	1	PLATE STOP	
39e	56366463	1	SPRING RETAINER	
39f	56601056	1	SPRING BRUSH HOLDER	

No.	Part No.	Qty.	Description	Part Note
39g	56601118	1	BRUSH PLATE	
40		1	Brush Plate Assy	[22]
40a	56009002	1	WASHER FLAT	
40b	56009247	3	SCR PN PHIL PLASTITE 10	
40c	56112521	1	GIMBAL COLLAR ASSEMBLY	
40d	56366455	1	PLATE STOP	
40e	56366463	1	SPRING RETAINER	
40f	56601056	1	SPRING BRUSH HOLDER	
40g	56601118	1	BRUSH PLATE	
41		2	Up Stop Mount	[9]
42		4	Knob	[17]
43		1	Pin	[2]
44	145 0452 000	1	NUT SELFLOCKING LOW M8	
45		2	Screw M5x12 Hex Hd F/Thd Ss	[23]
			Service Kits	
K2	56117473	1	UP STOP KIT	
K3	56117898	1	SOLENOID VALVE KIT	
K4	56117908	1	DISC SCRUB MOTOR KIT	
K5	56117909	1	DISK DECK ACTUATOR KIT	
K6	56117910	1	LEFT SKIRT KIT	
K7	56117911	1	DECK LINKAGE KIT	
K8	56117912	1	DISC DECK WELDMENT KIT	
K9	56117913	1	DISC RIGHT SKIRT KIT	
K10	56117915	1	ROLLER KIT	
K11	56117916	1	FRONT BLADE KIT	
K12	56117917	1	RIGHT BRUSH PLATE KIT	
K13	56117918	1	LEFT BRUSH PLATE KIT	
K14	56117214	1	RH STRAP KIT-DISK	
K15	56117219	1	LH STRAP KIT-DISK	
K16	56117903	1	ROLLER WHEEL KIT	
K17	56118048	1	SPRING HOUSING KIT-ACTUATOR	

Part Notes:

- [1] - K8,K11
- [2] - K10,K16
- [3] - K5
- [4] - K7
- [5] - K5,K7
- [6] - K4,K8
- [7] - K8,K10
- [8] - K3
- [9] - K2
- [10] - K4,K8,K12,K13
- [11] - K6,K8,K9
- [12] - K4,K8,K9
- [13] - K9
- [14] - K8
- [15] - K10
- [16] - K11
- [17] - K6,K9
- [18] - K4
- [19] - K6
- [20] - K17
- [21] - K13
- [22] - K12
- [23] - K2,K8

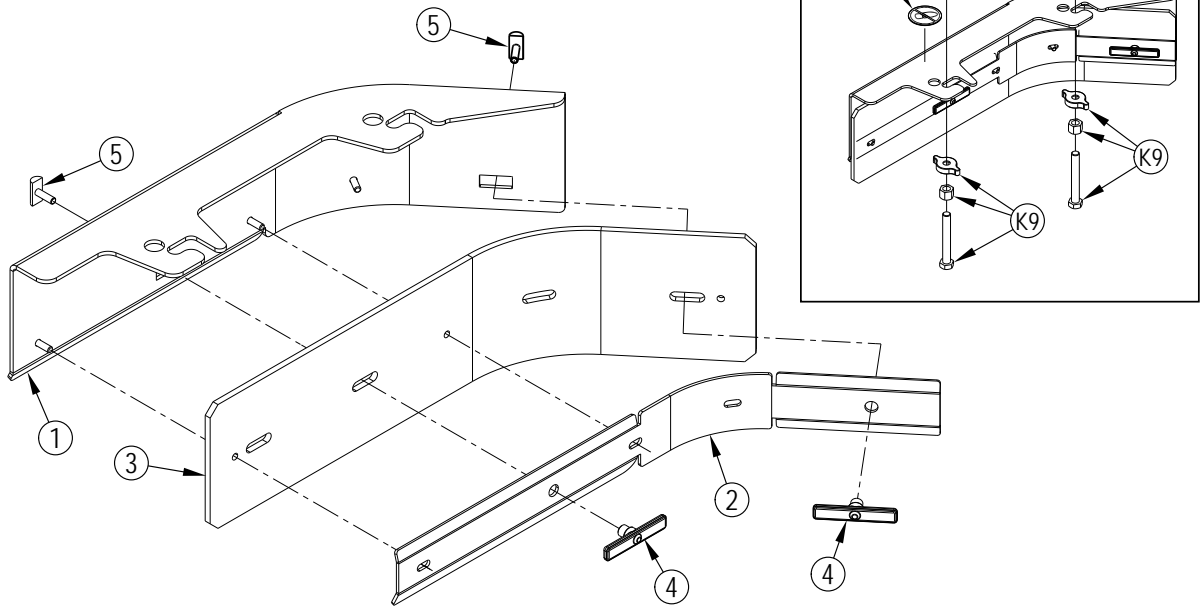


No.	Part No.	Qty.	Description	Part Note
		1	Disc Right Skirt Kit	[1]
1	56120285	1	RH FIXED SIDE BLADE WELDT-28D	
2		1	Strap-Right-34d	[2]
3	56117627	1	BLADE-DECK-34D-LINATEX	
4		2	Thumb Nut	[2]
5	56413850	2	SKIRT RETAINER ASSEMBLY	
		1	Left Skirt Kit	[3]
1	56120282	1	LT FIXED SIDE BLADE WELDT-28D	
2		1	Strap-Left-34d	[4]
3	56117627	1	BLADE-DECK-34D-LINATEX	
4		2	Thumb Nut	[4]
5	56413850	2	SKIRT RETAINER ASSEMBLY	
			Service Kits	
K1	56120322	1	28D RIGHT SKIRT KIT	
K11	56117214	1	RH STRAP KIT-DISK	
K2	56120323	1	28D/28R LEFT SKIRT KIT	
K12	56117219	1	LH STRAP KIT-DISK	

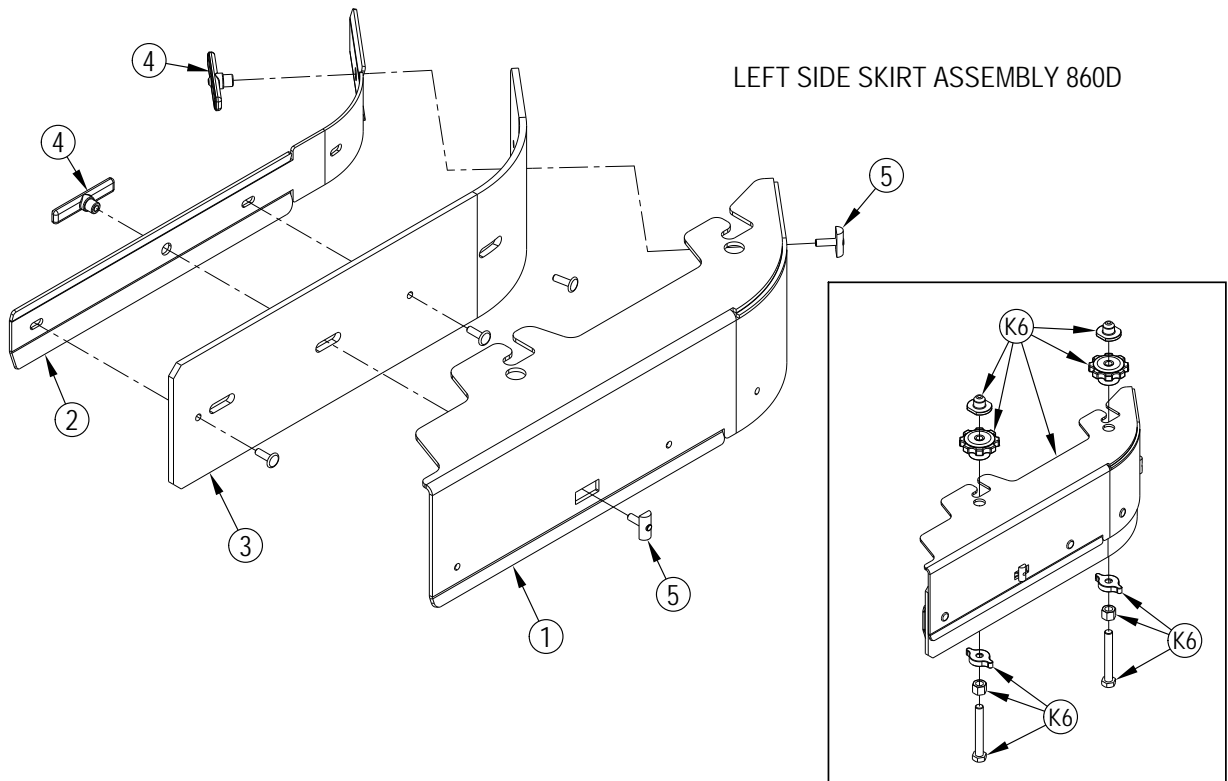
Part Notes:

- [1] - K1
- [2] - K11
- [3] - K2
- [4] - K12

RIGHT SIDE SKIRT ASSEMBLY 860D



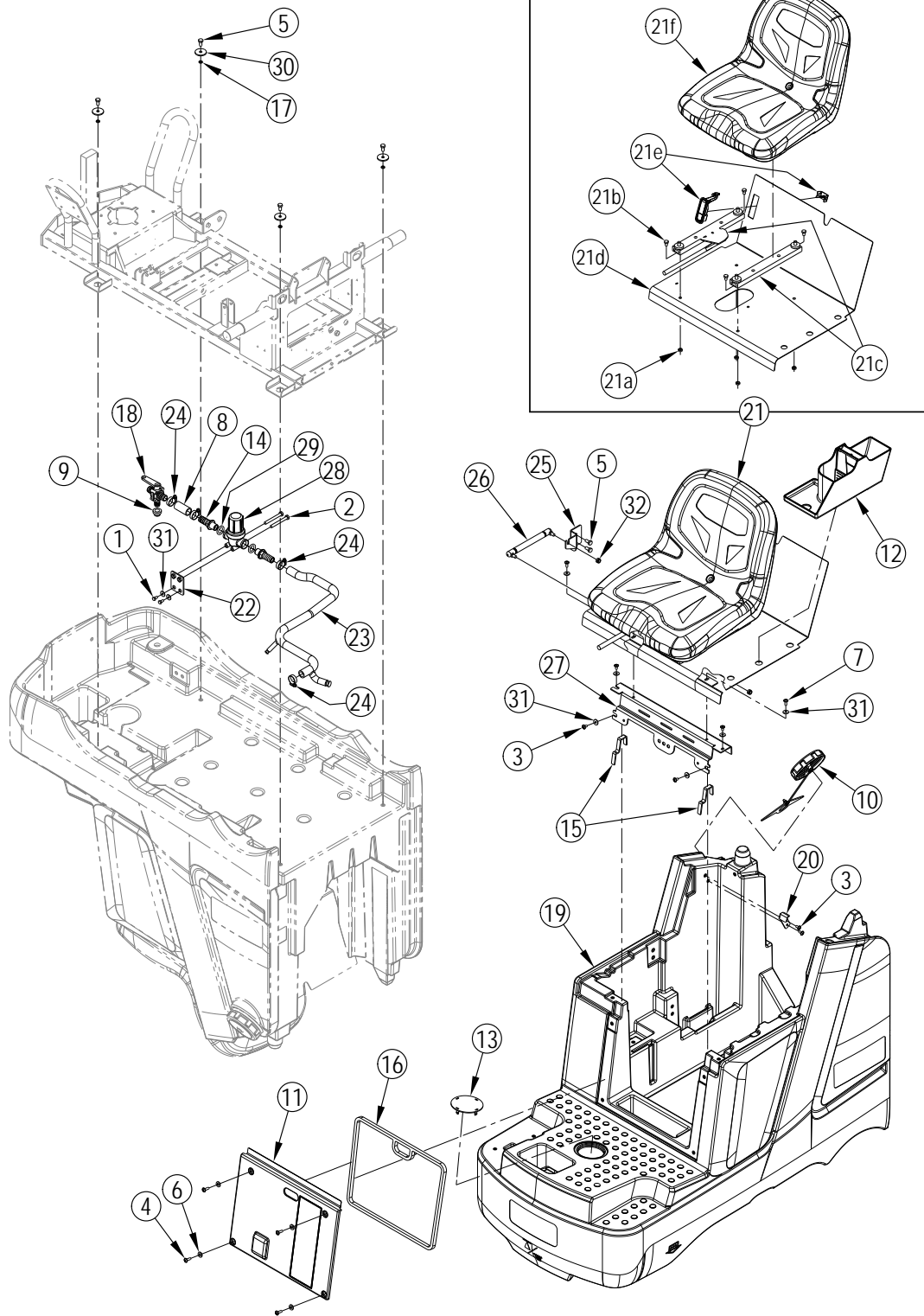
LEFT SIDE SKIRT ASSEMBLY 860D



No.	Part No.	Qty.	Description	Part Note
		1	Disc Right Skirt Kit	[1]
1	56117497	1	RT FIXED SIDE BLADE WELD-34D	
2		1	Strap-Right-34d	[2]
3	56117627	1	BLADE-DECK-34D-LINATEX	
4		2	Thumb Nut	[2]
5	56413850	2	SKIRT RETAINER ASSEMBLY	
		1	Left Skirt Kit	[3]
1	56117494	1	LT FIXED SIDE BLADE WELD-34D	
2		1	Strap-Left-34d	[4]
3	56117627	1	BLADE-DECK-34D-LINATEX	
4		2	Thumb Nut	[4]
5	56413850	2	SKIRT RETAINER ASSEMBLY	
			Service Kits	
K9	56117913	1	DISC RIGHT SKIRT KIT	
K14	56117214	1	RH STRAP KIT-DISK	
K6	56117910	1	LEFT SKIRT KIT	
K15	56117219	1	LH STRAP KIT-DISK	

Part Notes:

- [1] - K9
- [2] - K14
- [3] - K6
- [4] - K15

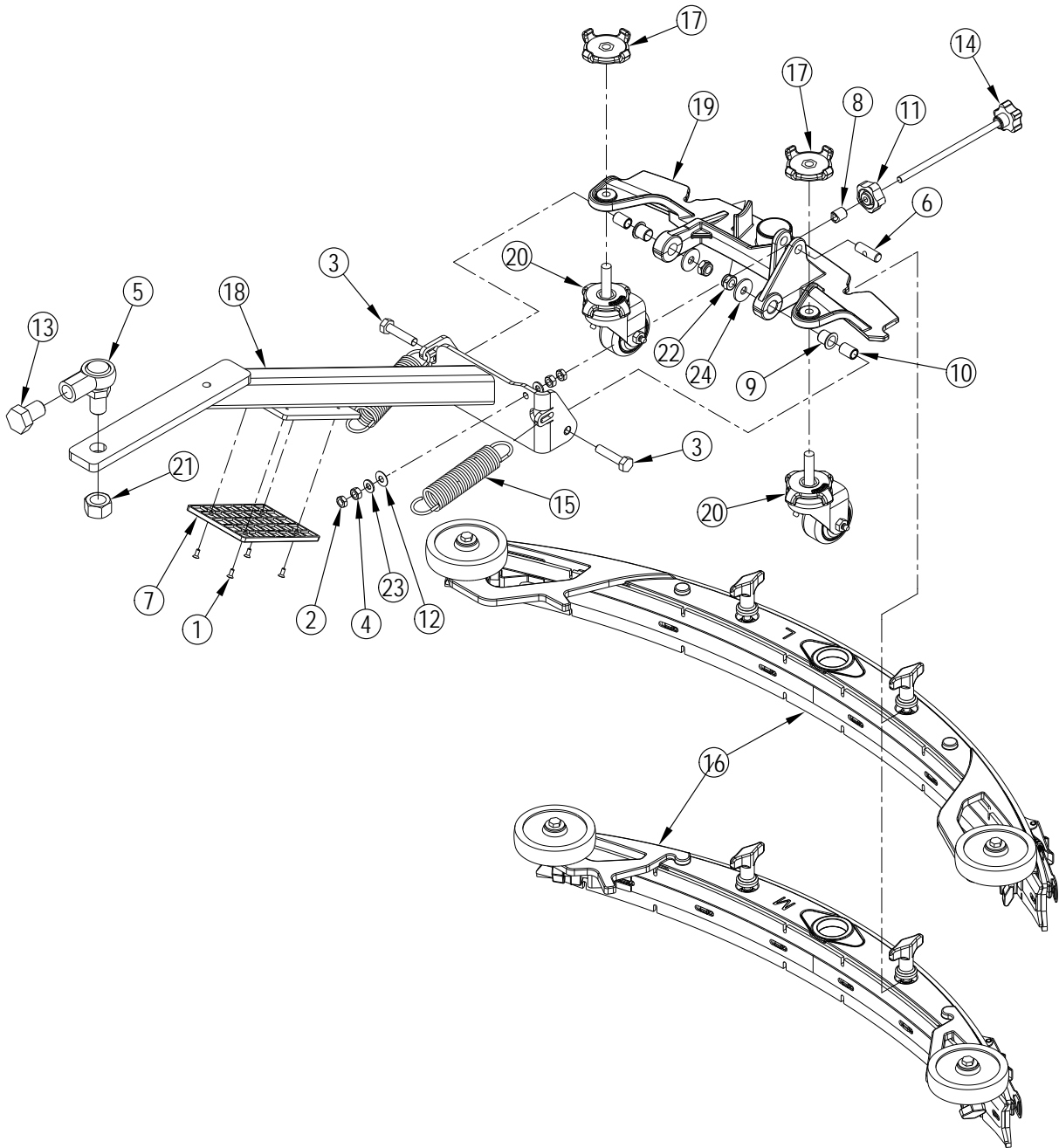


No.	Part No.	Qty.	Description	Part Note
1		2	Scr Hex M6x12 Ss W/Thd Lck	[1]
2		2	Scr Hex M8x70 Ss Wthd Lck	[1]
3		6	Scr Trx M6x12 W/Thd Lck Blk	[2]
4		4	Scr Trx M6x20 W/Thd Lck Blk	[3]
5		6	Scr Hex M8x16 Ss W/Thd Lck	[4]
6	56004155	4	WSHR-17ODX8IDX1.3 DIN125A BLK	
7		2	Scr Trx M6x16 W/Thd Lck Blk	[2]
8		1	Hose-20x26x52mm	
9		1	Grommet-.59x.78x.62	[4]
10	56116763	1	SOLUTION CAP ASSEMBLY	
11		1	Cover-Electrical Panel	[3]
12	56117457-Sp	1	BOX-STORAGE	
13	56412263	1	CAP SPINDLE	
14		2	Barb Hose Straight D.19.8 G1/2	[5]
15		2	Gasket-Cross Bar	[2]
16		1	Gasket-Electrical Cover	[3]
17		4	Spacer-Chassis	[4]
18		1	Valve-Ball-5/8x3/4in Barb	[6]
19		1	Tank-Solution	[4]
20	56120094	1	BRACKET-SEAT LATCH	
21		1	Seat Assembly	
21a	33005533	4	NUT HEX M8 UNI5589	
21b	56004086	4	SCR HEX M8X12 SS W/THD LCK	
21c	56109300	1	SLIDE KIT NO STUDS	
21d	56120098	1	SEAT MOUNT WELDMENT	
21e	56120154	1	LATCH-BUTTON STYLE RELEASE	
21f	56394342	1	SEAT-MID BACK-11.25IN MOUNT	
22	56120100	1	BRACKET-FILTER MOUNT	
23		1	Manifold Hose Assembly	[7]
24		4	Hose Clamp-Spring Insert-16/27	[8]
25	56120176	1	BRACKET- GAS STRUT	
26		1	Spring-Gas	[9]
27		1	Bracket-Seat Mount	[2]
28		1	Filter Water	[5]
29		2	O-Ring 5x20 Metric Nbr 70sh	[5]
30		4	Washer Plain M8x38x3 Galv.	[4]
31		8	Washer Plain M6x18 Iso7093	[10]
32		2	Nut Lock Hex M8 Low Ss Iso10511	[9]
			Service Kits	
K1	56117925	1	BALL VALVE KIT	
K2	56117926	1	WATER FILTER KIT	
K3	56117927	1	FILTER MOUNT KIT	
K4	56117929	1	COVER GASKET KIT	
K5	56117930	1	SEAT MOUNT KIT	
K7	56120311	1	SOLUTION TANK KIT	
K8	56120312	1	MANIFOLD HOSE KIT	
K9	56120189	1	GAS STRUT KIT	

Part Notes:

- [1] - K3
- [2] - K5
- [3] - K4
- [4] - K7
- [5] - K2
- [6] - K1
- [7] - K8
- [8] - K1,K8
- [9] - K9

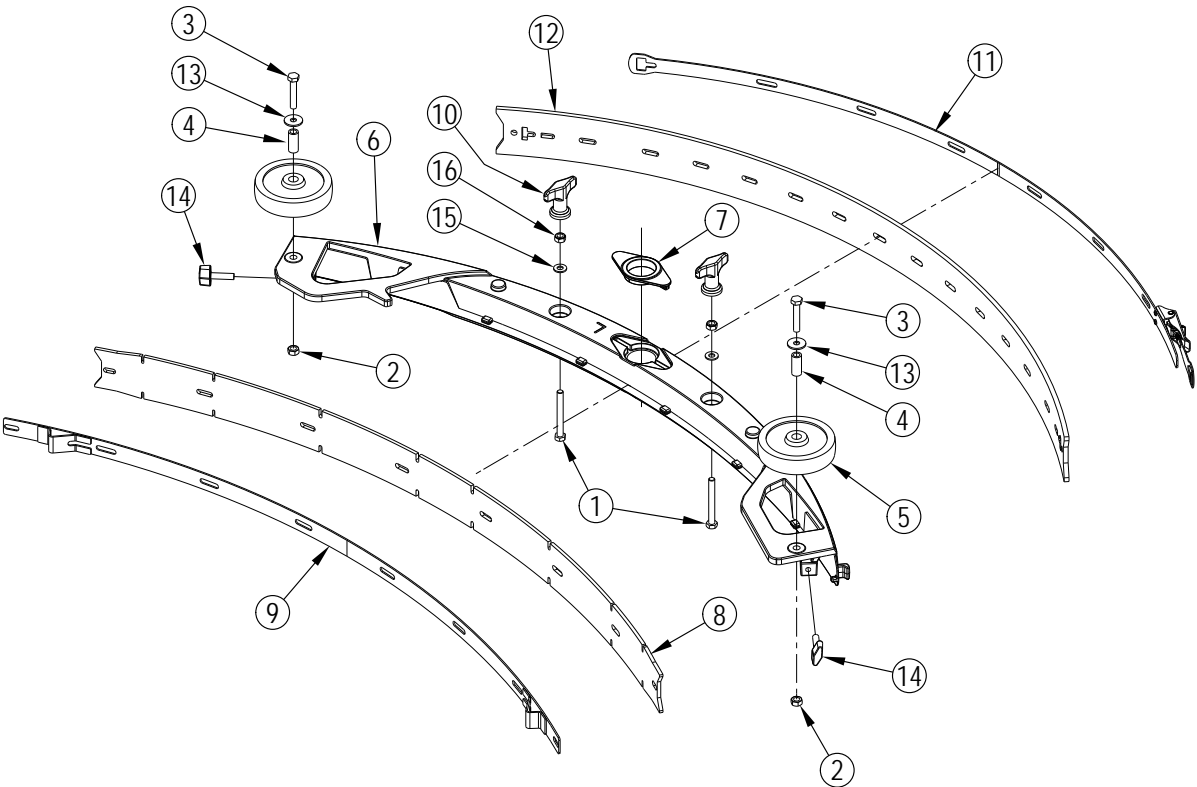
[10] - K3,K5



No.	Part No.	Qty.	Description	Part Note
1		4	Screw M4x10 C/Sunk Flat Hd Hex Iso10642	[1]
2	33005533	2	NUT HEX M8 UNI5589	
3	33022204	2	SCREW M10X45 HEX HD F/THD SS ISO4017	
4	56003989	2	NUT HEX SS M8-1.25	
5		1	Rod End-20mm	[2]
6	56116397	1	PIN-SQUEEGEE TILT	
7		1	Wear Plate-Squeegee	[1]
8	56116407	1	SPACER-SQUEEGEE TILT	
9	56116487	2	BEARING-FLANGE-14X16X17MM	
10	56116488	2	BUSHING	
11	56116552	1	KNOB-M8-LOBE SHORT	
12	56116769	1	WASHER-BEVEL 8.2X20X0.7X1.35MM	
13		1	Screw M20-1.5x30 Din961 8.8	[2]
14	56116894	1	SQUEEGEE TILT ADJUSTER	
15	56116974	2	SPRING-EXTENSION	
16	56117300	1	SQUEEGEE ASSEMBLY-L	[3]
16	56120135-SP	1	SQUEEGEE ASSEMBLY-28IN	[4]
17	56117302-Sp	2	KNOB-SQUEEGEE-M12	
18	56117303	1	SQUEEGEE ARM WELDMENT	
19	56117306	1	MOUNT-SQUEEGEE	
20	56117356-Sp	2	CASTER ASSEMBLY	
21		1	Nut-Hex M20x1.5 Iso8673 8.8	[2]
22	909 6013 000	2	NUT LOCK HEX M10 LOW SS ISO10511	
23	9100001351	2	WASHER PLAIN M8 ISO7089 SS 10 PCS SET	
24	L08812336	2	GASKET	[5]
			Service Kits	
K1	56117988	1	ROD END KIT	
K2	56116895	1	SQUEEGEE WEAR PLATE KIT	

Part Notes:

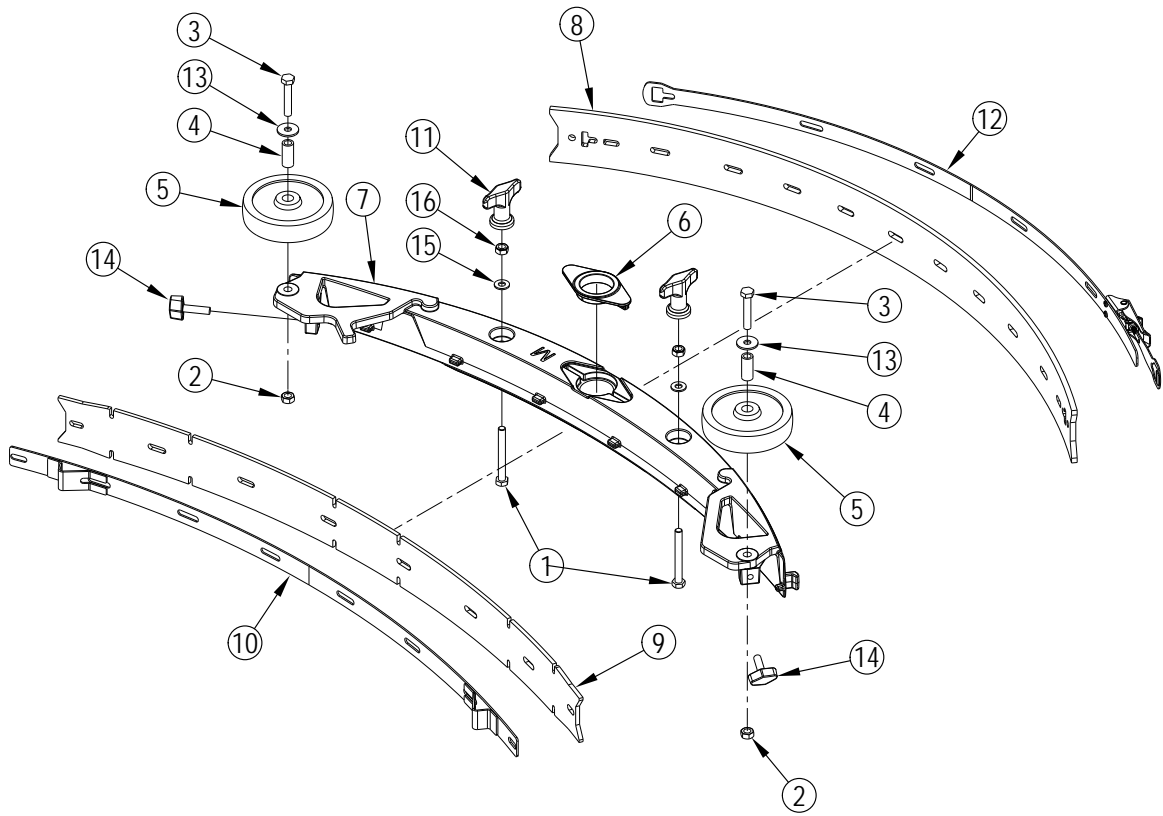
- [1] - K2
- [2] - K1
- [3] - 32c Cylindrical Model, 34d Disc Model - includes Linard and Linatex Rubber Blades
- [4] - 28c Cylindrical Model, 28d Disc Model - Includes Linard and Linatex Rubber Blades
- [5] - GUARANTEE DATE EXPIRED



No.	Part No.	Qty.	Description	Part Note
1	56003649	2	SCR,HX THD2 HD SS 5/16-18	
2	56003989	2	NUT HEX SS M8-1.25	
3	56004089	2	SCR HEX M8X45 SS W/THD LCK	
4	56109581	2	BUSHING	
5	56111639	2	WHEEL	
6	56117301-SP	1	CASTING-SQUEEGEE-L-SPARE PART	
7	56117305	1	SEAL-SQUEEGEE	
8		1	Blade-Squeegee Fr-Linard-L	[1]
		1	Blade-Squeegee FR-PU-L	[2]
		1	Blade-Squeegee FR-Gum 34	[3]
		1	Blade-Squeegee FR-Primo-L	[4]
9	56120233	1	FRONT STRAP WELDMENT-34	
10	56370711	2	NUT THUMB	
11	56382698	1	CLAMP-BAND 34 IN ASSY	
12		1	Blade-Squeegee Rr-Linatex 34	[1]
		1	Blade-Squeegee RR-PU-L	[2]
		1	Blade-Squeegee RR-Gum 34	[3]
		1	Blade-Squeegee RR-Primo-L	[4]
13	1466482000	2	WASHER PLAIN M8X24 SS ISO7093 10 PCS SET	[5]
14	9100000791	2	KNOB M8X30 THD STUD SS	
15	9100001351	2	WASHER PLAIN M8 ISO7089 SS 10 PCS SET	
16	L08603988	2	NUT LOCK HEX 5/16 UNC LOW SS	
			Service Kits	
K1	56120338	1	SQUEEGEE BLADE KIT 34 -LINATEX-L	
K2	56120340	1	SQUEEGEE BLADE KIT 34 -PU-L	
K3	56382738	1	BLADE KIT SQUEEGEE GUM 34	
K4	56120339	1	SQUEEGEE BLADE KIT-PRIMO-L	

Part Notes:

- [1] - K1
- [2] - K2
- [3] - K3
- [4] - K4
- [5] - NO LONGER AVAILABLE



No.	Part No.	Qty.	Description	Part Note
1	56003649	2	SCR,HX THD2 HD SS 5/16-18	
2	56003989	2	NUT HEX SS M8-1.25	
3	56004089	2	SCR HEX M8X45 SS W/THD LCK	
4	56109581	2	BUSHING	
5	56111639	2	WHEEL	
6	56117305	1	SEAL-SQUEEGEE	
7	56120136	1	SQUEEGEE-CASTING-M	
8		1	Blade-Squeegee Rr-Linatex 28	[1]
		1	Blade-Squeegee RR-PU-M	[2]
		1	Blade-Squeegee RR-Gum 28	[3]
		1	Blade-Squeegee RR-Primo-M	[4]
9		1	Blade-Squeegee Fr-Linard-M	[1]
		1	Blade-Squeegee FR-PU-M	[2]
		1	Blade-Squeegee FR-Gum 28	[3]
		1	Blade-Squeegee FR-Primo-M	[4]
10	56120236	1	FRONT STRAP WELDMENT-28	
11	56370711	2	NUT THUMB	
12	56382697	1	CLAMP-BAND 28 IN ASSY	
13	1466482000	2	WASHER PLAIN M8X24 SS ISO7093 10 PCS SET	[5]
14	9100000791	2	KNOB M8X30 THD STUD SS	
15	9100001351	2	WASHER PLAIN M8 ISO7089 SS 10 PCS SET	
16	L08603988	2	NUT LOCK HEX 5/16 UNC LOW SS	
			Service Kits	
K1	56120334	1	SQUEEGEE BLADE KIT 28-LINATEX-M	
K2	56120336	1	SQUEEGEE BLADE KIT 28-PU-M	
K3	56120335	1	SQUEEGEE BLADE KIT 28-GUM-M	
K4	56120337	1	SQUEEGEE BLADE KIT 34 - PRIMO-M	

Part Notes:

- [1] - K1
- [2] - K2
- [3] - K3
- [4] - K4
- [5] - NO LONGER AVAILABLE

Rear and Drive Wheel System

SC4000 710C NIL

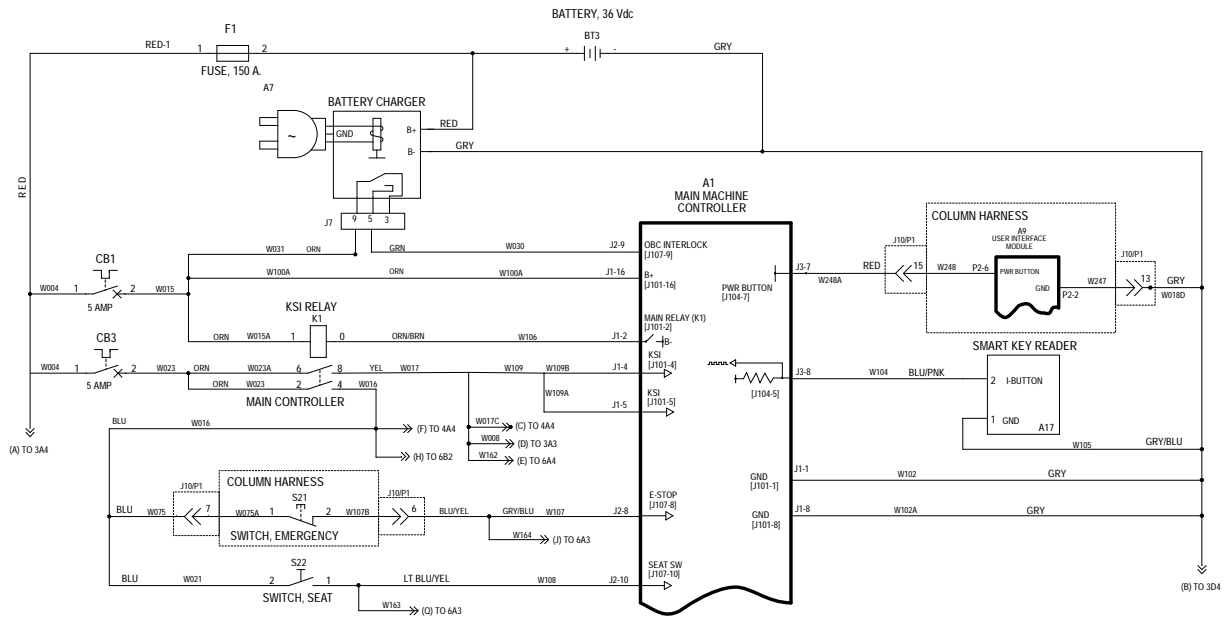
2022.12.21

2023.04.05

No.	Part No.	Qty.	Description	Part Note
1	33005668	1	NUT HEX M24X2 CASTLE LOW DIN937	
2	33005782	1	PIN SPLIT 3X50 UNI1336	[1]
3		1	Washer Plain M6x12.5x1.6 Ss Iso7093	[2]
4	56004083	2	SCR HEX M6X12 SS W/THD LCK	
5		1	Scr Hex M6x20 Ss W/Thd Lck	[2]
6	56004092	4	SCR HEX M10X40 SS W/THD LCK	
7	56004125	4	SCR HEX M10X15 SS W/CHEM LCK	
8	56117155-SP	1	SPINDLE WELDMENT	
9	56117428-SP	1	STEERING PLATE WELDMENT	
10	56117446-SP	1	PLATE-TIE DOWN	
11	56117558-Sp	1	BLOCK-BEARING	
12	56117791-SP	1	TRAY-WIRE HARNESS	
13		1	Chain Tensioner Weldment	[2]
14	56120105	1	DRIVE WHEEL-36 VDC-780W-IP20	
14a	56120224	4	SCREW-ALUMINUM HUB	
14b	56120225	6	SCREW-WHEEL	
14c	56120226	1	ALUMINUM HUB	
14d	56120227	1	WHEEL-POLY-RED-250X90	
14e	56116809	1	BEARING	
14f	56118197	1	SHIELD-BALL BEARING	
14g	56412321	1	SEALING RING	
14h	56120265	1	MOTOR-36VDC-780W WITH BRAKE	
14i	56120266	1	BRAKE-ELECTROMAGNETIC-LEVER	
14j	56120267	1	BRUSH KIT	
14k	56120268	1	COVER-MOTOR	
14l	56120269	1	COVER-CONNECTION BOX	
14m	56422174	1	TIRE PULLER KIT	
15	56158143	1	BEARING TR CP 2.44 E00135	
16	56158151	1	BEARING TR CN 1.250V51Y	
17	56171081	1	SEAL SHAFT 1.750 PE202S	
18	56378380	1	BEARING BALL .9843 CR25D	
19		1	Chain-Roller	[2]
20		2	Nut Hex M6 Ss	[2]
21	146 1703 000	1	WASHER PLAIN M24X44	
22	9100001351	2	WASHER PLAIN M8 ISO7089 SS 10 PCS SET	
23		2	Scr Hex M10x25 Ss W/Thd Lck	[3]
24		2	Wsh, Flt .406 x 1.5 x .1875	[4]
25		2	Wheel	[3]
26		2	Bearing-Ball	[3]
			Service Kits	
K1	56120307	1	REAR WHEEL KIT	
K2	56120308	1	REAR WHEEL BEARING KIT	[5]
K3	56117183	1	CHAIN KIT	

Part Notes:

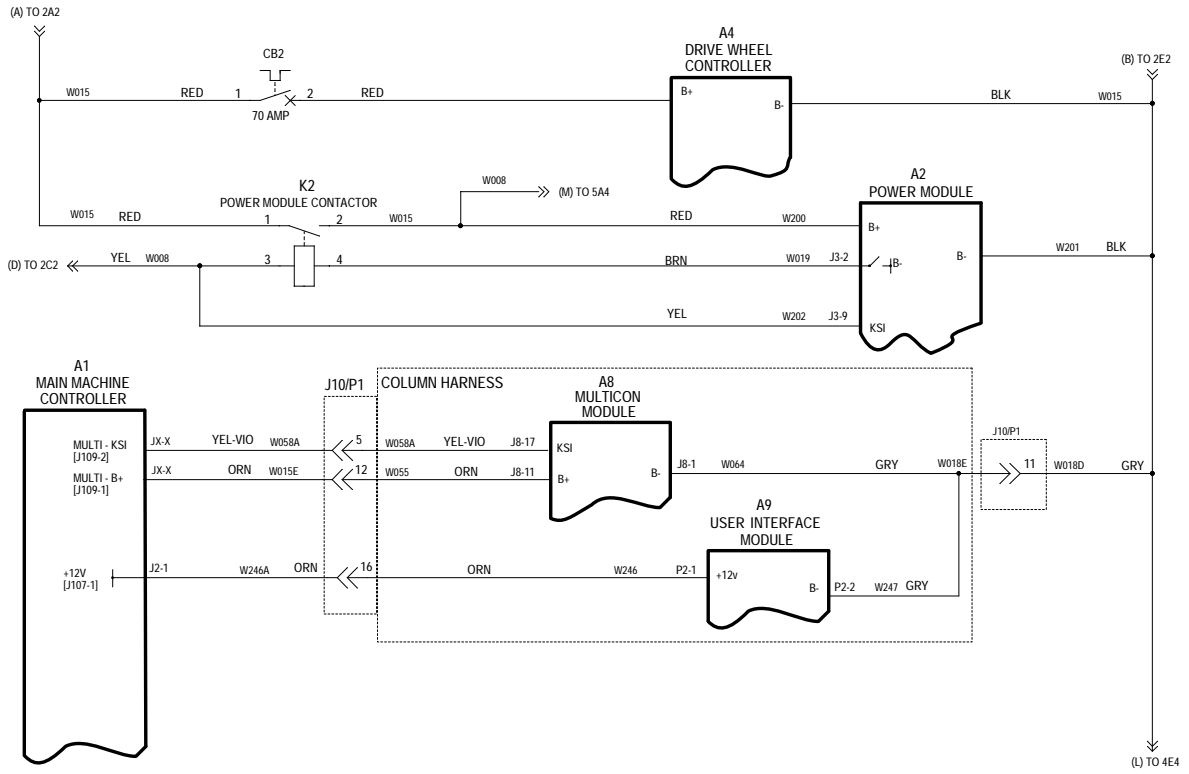
- [1] - STOCK COVERS GUARANTEE
- [2] - K3
- [3] - K1,K2
- [4] - K1
- [5] - NOT SALEABLE SC4000 ITEMS



No.	Part No.	Qty.	Description	Part Note
A1	56120488	1	CONTROLLER KIT	
A2	56116087	1	MODULE-HIGH POWER	
A4	56120502	1	CONTROLLER-DRIVE BRUSHED DC	
A7	56117797	1	CHARGER-ON BOARD-36V	[1]
A8	9100003246	1		
A9	56124099	1	INTERFACE P32 MMC KIT	
A17	56116477	1	IBUTTON-PROBE	
BT3		1	Battery	
CB1	56315255	1	CIRCUIT BREAKER, 5 AMP	
CB2	56454429	1	70A CIRCUIT BREAK	
CB3	56315255	1	CIRCUIT BREAKER, 5 AMP	
F1	56115432	1	FUSE-150 AMP	
F2		1	3 Amp Fuse	
F3		1	30 Amp Fuse	
F4		1	30 Amp Fuse	
F5		1	30 Amp Fuse	
F6		1	30 Amp Fuse	
F7		1	5 Amp Fuse	
F8		1	10 Amp Fuse	
F9		1	10 Amp Fuse	
F10		1	10 Amp Fuse	
F11		1	40 Amp Fuse	
F12		1	40 Amp Fuse	
F13		1	40 Amp Fuse	
H7	56116375	1	HORN-36V	
H8	56117416-Sp	1	ALARM-BACK-UP-11-100V	
K1	40892a	1	RELAY, DPDT	
K2	56117835	1	36V CONTACTOR KIT	
L7		1	Valve-Solenoid-36vdc	
LP1	56383032	1	LIGHT-LED	
LP2	56383032	1	LIGHT-LED	
LP8	56117845-SP	1	BEACON-WARNING LED	
	56117622	1	LIGHT-DIRECTIONAL-BLUE	
	56117427-SP	1	SENSOR-LEVEL-CAPACITIVE	
M20	56120265	1	MOTOR-36VDC-780W WITH BRAKE	
M24	56110742	1	PUMP DETERGENT 12V	
M25	56117499-Sp	1	ACTUATOR-DECK	
M26	56117967	1	PUMP-36VDC-WATER-65PSI	
M27		1	Actuator Assy-Disk Deck	
M27		1	Actuator Assy-Cyl Deck	
M30		1	Motor, Vacuum 1	
M30		1	Motor, Vacuum 2	
M33		1	Right Brush Disc	
M34		1	Rear Cylindrical Brush Motor	
M40		1	Front Cylindrical Brush Motor	
M41		1	Motor, Left Brush Disc Drive Motor	
R3	56123358-Sp	1	PEDAL-UNI DIRECTION-HALL	
S1	56117842	1	SENSOR-PROXIMITY	
S21	56104247	1	DISCONNECT-EMERGENCY	
S22	7-82-00050	1	SWITCH SEAT	
Y4	56120229	1	BRAKE-ELECTROMAGNETIC-LEVER	

Part Notes:

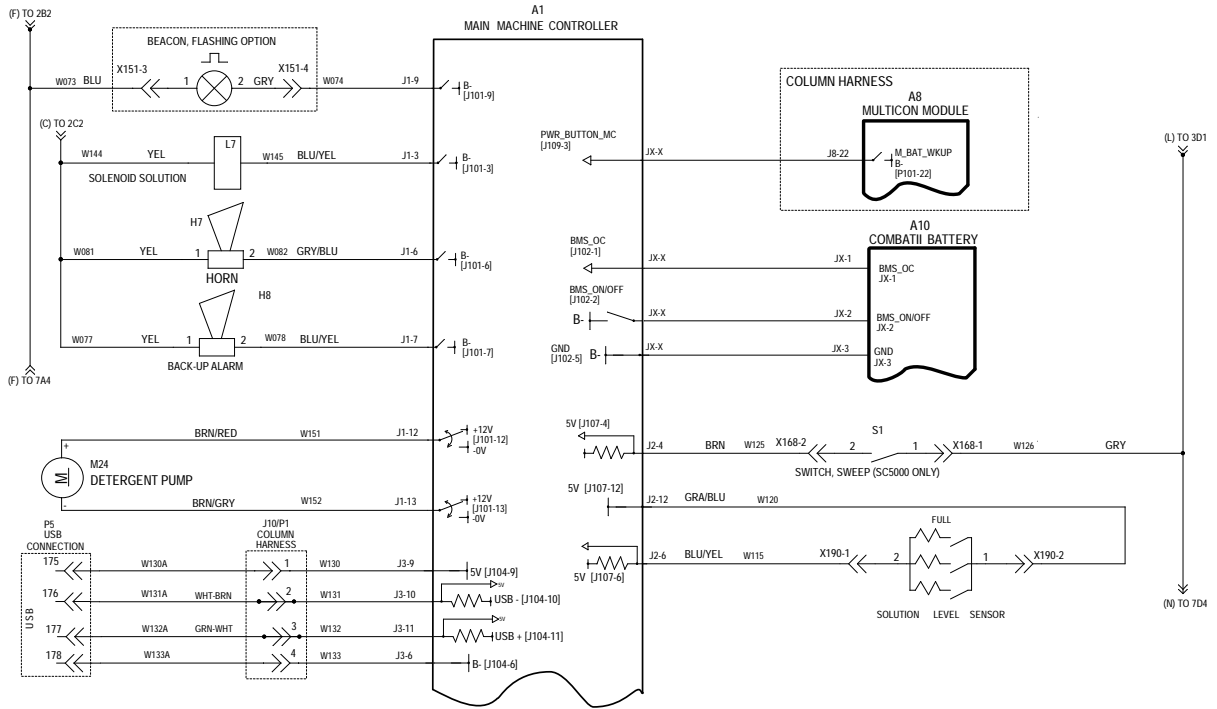
[1] - CONSULT CURRENT PARTS LIST



No.	Part No.	Qty.	Description	Part Note
A1	56120488	1	CONTROLLER KIT	
A2	56116087	1	MODULE-HIGH POWER	
A4	56120502	1	CONTROLLER-DRIVE BRUSHED DC	
A7	56117797	1	CHARGER-ON BOARD-36V	[1]
A8	9100003246	1		
A9	56124099	1	INTERFACE P32 MMC KIT	
A17	56116477	1	IBUTTON-PROBE	
BT3		1	Battery 36VDC	
CB1	56315255	1	CIRCUIT BREAKER, 5 AMP	
CB2	56454429	1	70A CIRCUIT BREAK	
CB3	56315255	1	CIRCUIT BREAKER, 5 AMP	
F1	56115432	1	FUSE-150 AMP	
F2		1	3 Amp Fuse	
F3		1	30 Amp Fuse	
F4		1	30 Amp Fuse	
F5		1	30 Amp Fuse	
F6		1	30 Amp Fuse	
F7		1	5 Amp Fuse	
F8		1	10 Amp Fuse	
F9		1	10 Amp Fuse	
F10		1	10 Amp Fuse	
F11		1	40 Amp Fuse	
F12		1	40 Amp Fuse	
F13		1	40 Amp Fuse	
H7	56116375	1	HORN-36V	
H8	56117416-Sp	1	ALARM-BACK-UP-11-100V	
K1	40892a	1	RELAY, DPDT	
K2	56117835	1	36V CONTACTOR KIT	
L7		1	Valve-Solenoid-36vdc	
LP1	56383032	1	LIGHT-LED	
LP2	56383032	1	LIGHT-LED	
LP8	56117845-SP	1	BEACON-WARNING LED	
	56117622	1	LIGHT-DIRECTIONAL-BLUE	
	56117427-SP	1	SENSOR-LEVEL-CAPACITIVE	
M20	56120265	1	MOTOR-36VDC-780W WITH BRAKE	
M24	56110742	1	PUMP DETERGENT 12V	
M25	56117499-Sp	1	ACTUATOR-DECK	
M26	56117967	1	PUMP-36VDC-WATER-65PSI	
M27		1	Actuator Assy-Disk Deck	
M27		1	Actuator Assy-Cyl Deck	
M30		1	Motor, Vacuum 1	
M30		1	Motor, Vacuum 2	
M33		1	Right Brush Disc	
M34		1	Rear Cylindrical Brush Motor	
M40		1	Front Cylindrical Brush Motor	
M41		1	Motor, Left Brush Disc Drive Motor	
R3	56123358-Sp	1	PEDAL-UNI DIRECTION-HALL	
S1	56117842	1	SENSOR-PROXIMITY	
S21	56104247	1	DISCONNECT-EMERGENCY	
S22	7-82-00050	1	SWITCH SEAT	
Y4	56120229	1	BRAKE-ELECTROMAGNETIC-LEVER	

Part Notes:

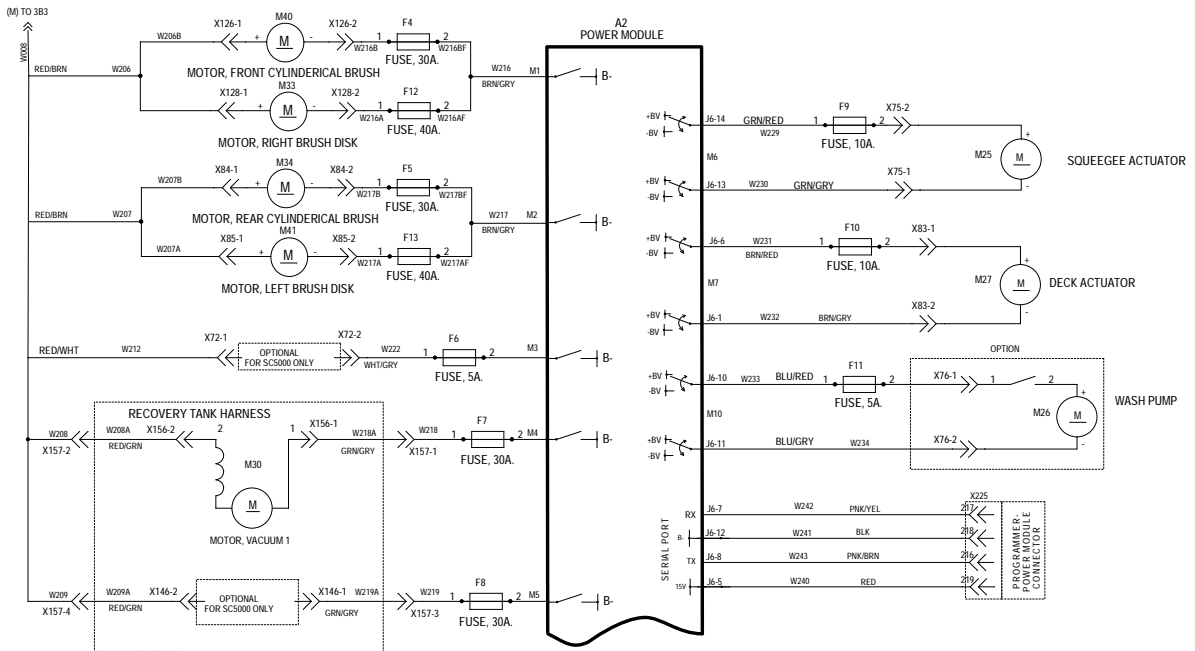
[1] - CONSULT CURRENT PARTS LIST



No.	Part No.	Qty.	Description	Part Note
A1	56120488	1	CONTROLLER KIT	
A2	56116087	1	MODULE-HIGH POWER	
A4	56120502	1	CONTROLLER-DRIVE BRUSHED DC	
A7	56117797	1	CHARGER-ON BOARD-36V	[1]
A8	9100003246	1		
A9	56124099	1	INTERFACE P32 MMC KIT	
A17	56116477	1	IBUTTON-PROBE	
BT3		1	Battery	
CB1	56315255	1	CIRCUIT BREAKER, 5 AMP	
CB2	56454429	1	70A CIRCUIT BREAK	
CB3	56315255	1	CIRCUIT BREAKER, 5 AMP	
F1	56115432	1	FUSE-150 AMP	
F2		1	3 Amp Fuse	
F3		1	30 Amp Fuse	
F4		1	30 Amp Fuse	
F5		1	30 Amp Fuse	
F6		1	30 Amp Fuse	
F7		1	5 Amp Fuse	
F8		1	10 Amp Fuse	
F9		1	10 Amp Fuse	
F10		1	10 Amp Fuse	
F11		1	40 Amp Fuse	
F12		1	40 Amp Fuse	
F13		1	40 Amp Fuse	
H7	56116375	1	HORN-36V	
H8	56117416-Sp	1	ALARM-BACK-UP-11-100V	
K1	40892a	1	RELAY, DPDT	
K2	56117835	1	36V CONTACTOR KIT	
L7		1	Valve-Solenoid-36vdc	
LP1	56383032	1	LIGHT-LED	
LP2	56383032	1	LIGHT-LED	
LP8	56117845-SP	1	BEACON-WARNING LED	
	56117622	1	LIGHT-DIRECTIONAL-BLUE	
	56117427-SP	1	SENSOR-LEVEL-CAPACITIVE	
M20	56120265	1	MOTOR-36VDC-780W WITH BRAKE	
M24	56110742	1	PUMP DETERGENT 12V	
M25	56117499-Sp	1	ACTUATOR-DECK	
M26	56117967	1	PUMP-36VDC-WATER-65PSI	
M27		1	Actuator Assy-Disk Deck	
M27		1	Actuator Assy-Cyl Deck	
M30		1	Motor, Vacuum 1	
M30		1	Motor, Vacuum 2	
M33		1	Right Brush Disc	
M34		1	Rear Cylindrical Brush Motor	
M40		1	Front Cylindrical Brush Motor	
M41		1	Motor, Left Brush Disc Drive Motor	
R3	56123358-Sp	1	PEDAL-UNI DIRECTION-HALL	
S1	56117842	1	SENSOR-PROXIMITY	
S21	56104247	1	DISCONNECT-EMERGENCY	
S22	7-82-00050	1	SWITCH SEAT	
Y4	56120229	1	BRAKE-ELECTROMAGNETIC-LEVER	

Part Notes:

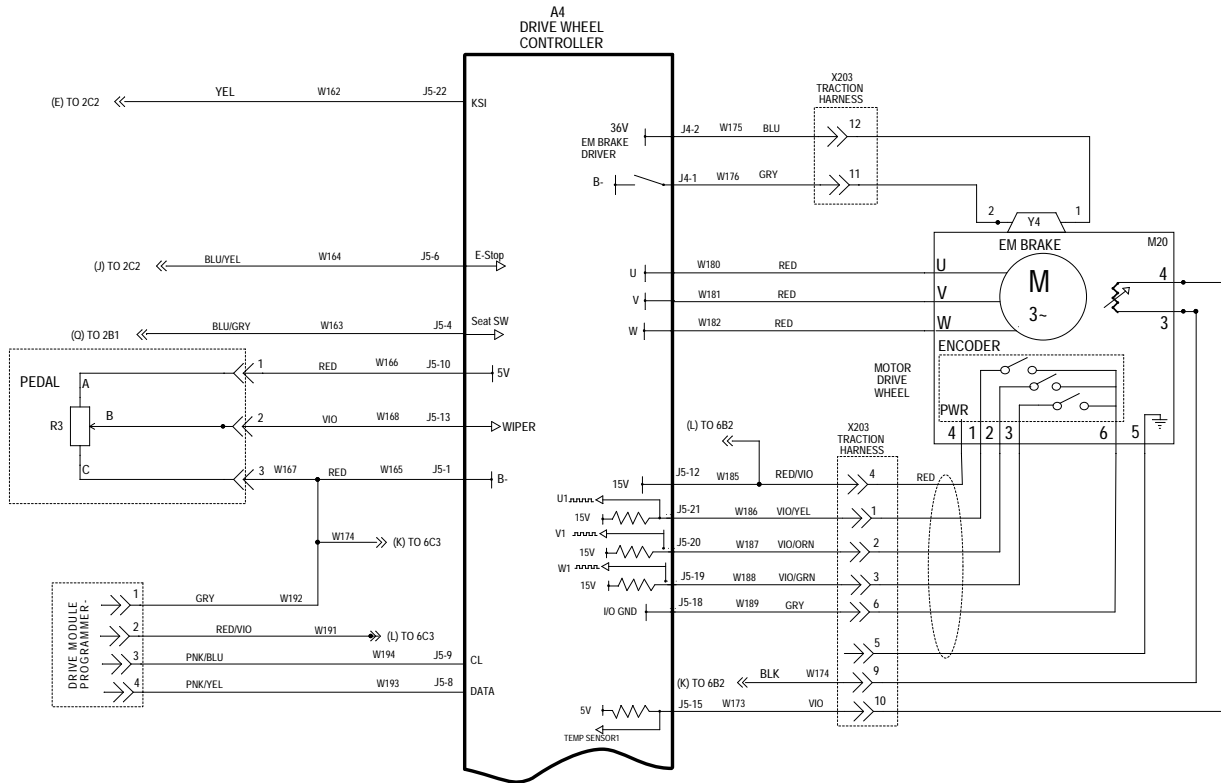
[1] - CONSULT CURRENT PARTS LIST



No.	Part No.	Qty.	Description	Part Note
A1	56120488	1	CONTROLLER KIT	
A2	56116087	1	MODULE-HIGH POWER	
A4	56120502	1	CONTROLLER-DRIVE BRUSHED DC	
A7	56117797	1	CHARGER-ON BOARD-36V	[1]
A8	9100003246	1		
A9	56124099	1	INTERFACE P32 MMC KIT	
A17	56116477	1	IBUTTON-PROBE	
BT3		1	Battery	
CB1	56315255	1	CIRCUIT BREAKER, 5 AMP	
CB2	56454429	1	70A CIRCUIT BREAK	
CB3	56315255	1	CIRCUIT BREAKER, 5 AMP	
F1	56115432	1	FUSE-150 AMP	
F2		1	3 Amp Fuse	
F3		1	30 Amp Fuse	
F4		1	30 Amp Fuse	
F5		1	30 Amp Fuse	
F6		1	30 Amp Fuse	
F7		1	5 Amp Fuse	
F8		1	10 Amp Fuse	
F9		1	10 Amp Fuse	
F10		1	10 Amp Fuse	
F11		1	40 Amp Fuse	
F12		1	40 Amp Fuse	
F13		1	40 Amp Fuse	
H7	56116375	1	HORN-36V	
H8	56117416-Sp	1	ALARM-BACK-UP-11-100V	
K1	40892a	1	RELAY, DPDT	
K2	56117835	1	36V CONTACTOR KIT	
L7		1	Valve-Solenoid-36vdc	
LP1	56383032	1	LIGHT-LED	
LP2	56383032	1	LIGHT-LED	
LP8	56117845-SP	1	BEACON-WARNING LED	
	56117622	1	LIGHT-DIRECTIONAL-BLUE	
	56117427-SP	1	SENSOR-LEVEL-CAPACITIVE	
M20	56120265	1	MOTOR-36VDC-780W WITH BRAKE	
M24	56110742	1	PUMP DETERGENT 12V	
M25	56117499-Sp	1	ACTUATOR-DECK	
M26	56117967	1	PUMP-36VDC-WATER-65PSI	
M27		1	Actuator Assy-Disk Deck	
M27		1	Actuator Assy-Cyl Deck	
M30		1	Motor, Vacuum 1	
M30		1	Motor, Vacuum 2	
M33		1	Right Brush Disc	
M34		1	Rear Cylindrical Brush Motor	
M40		1	Front Cylindrical Brush Motor	
M41		1	Motor, Left Brush Disc Drive Motor	
R3	56123358-Sp	1	PEDAL-UNI DIRECTION-HALL	
S1	56117842	1	SENSOR-PROXIMITY	
S21	56104247	1	DISCONNECT-EMERGENCY	
S22	7-82-00050	1	SWITCH SEAT	
Y4	56120229	1	BRAKE-ELECTROMAGNETIC-LEVER	

Part Notes:

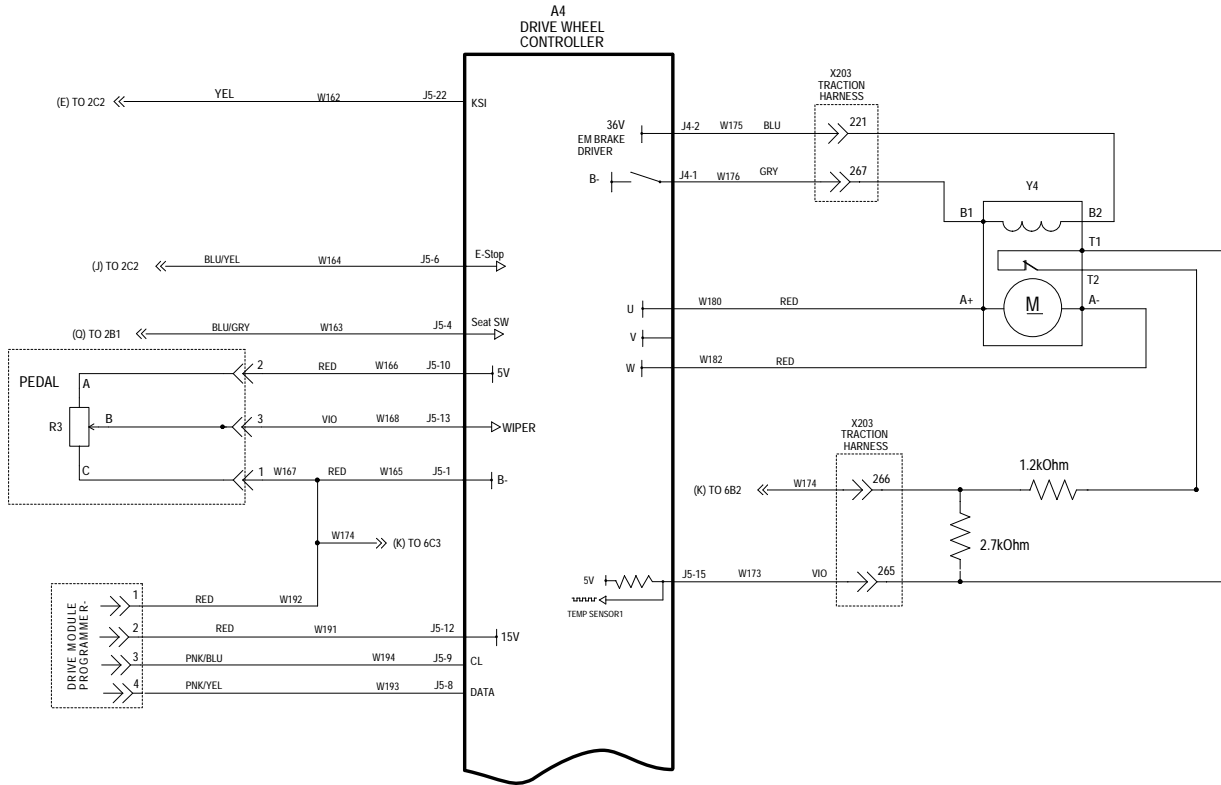
[1] - CONSULT CURRENT PARTS LIST



No.	Part No.	Qty.	Description	Part Note
A1	56120488	1	CONTROLLER KIT	
A2	56116087	1	MODULE-HIGH POWER	
A4	56120502	1	CONTROLLER-DRIVE BRUSHED DC	
A7	56117797	1	CHARGER-ON BOARD-36V	[1]
A8	9100003246	1		
A9	56124099	1	INTERFACE P32 MMC KIT	
A17	56116477	1	IBUTTON-PROBE	
BT3		1	Battery	
CB1	56315255	1	CIRCUIT BREAKER, 5 AMP	
CB2	56454429	1	70A CIRCUIT BREAK	
CB3	56315255	1	CIRCUIT BREAKER, 5 AMP	
F1	56115432	1	FUSE-150 AMP	
F2		1	3 Amp Fuse	
F3		1	30 Amp Fuse	
F4		1	30 Amp Fuse	
F5		1	30 Amp Fuse	
F6		1	30 Amp Fuse	
F7		1	5 Amp Fuse	
F8		1	10 Amp Fuse	
F9		1	10 Amp Fuse	
F10		1	10 Amp Fuse	
F11		1	40 Amp Fuse	
F12		1	40 Amp Fuse	
F13		1	40 Amp Fuse	
H7	56116375	1	HORN-36V	
H8	56117416-Sp	1	ALARM-BACK-UP-11-100V	
K1	40892a	1	RELAY, DPDT	
K2	56117835	1	36V CONTACTOR KIT	
L7		1	Valve-Solenoid-36vdc	
LP1	56383032	1	LIGHT-LED	
LP2	56383032	1	LIGHT-LED	
LP8	56117845-SP	1	BEACON-WARNING LED	
	56117622	1	LIGHT-DIRECTIONAL-BLUE	
	56117427-SP	1	SENSOR-LEVEL-CAPACITIVE	
M20	56120265	1	MOTOR-36VDC-780W WITH BRAKE	
M24	56110742	1	PUMP DETERGENT 12V	
M25	56117499-Sp	1	ACTUATOR-DECK	
M26	56117967	1	PUMP-36VDC-WATER-65PSI	
M27		1	Actuator Assy-Disk Deck	
M27		1	Actuator Assy-Cyl Deck	
M30		1	Motor, Vacuum 1	
M30		1	Motor, Vacuum 2	
M33		1	Right Brush Disc	
M34		1	Rear Cylindrical Brush Motor	
M40		1	Front Cylindrical Brush Motor	
M41		1	Motor, Left Brush Disc Drive Motor	
R3	56123358-Sp	1	PEDAL-UNI DIRECTION-HALL	
S1	56117842	1	SENSOR-PROXIMITY	
S21	56104247	1	DISCONNECT-EMERGENCY	
S22	7-82-00050	1	SWITCH SEAT	
Y4	56120229	1	BRAKE-ELECTROMAGNETIC-LEVER	

Part Notes:

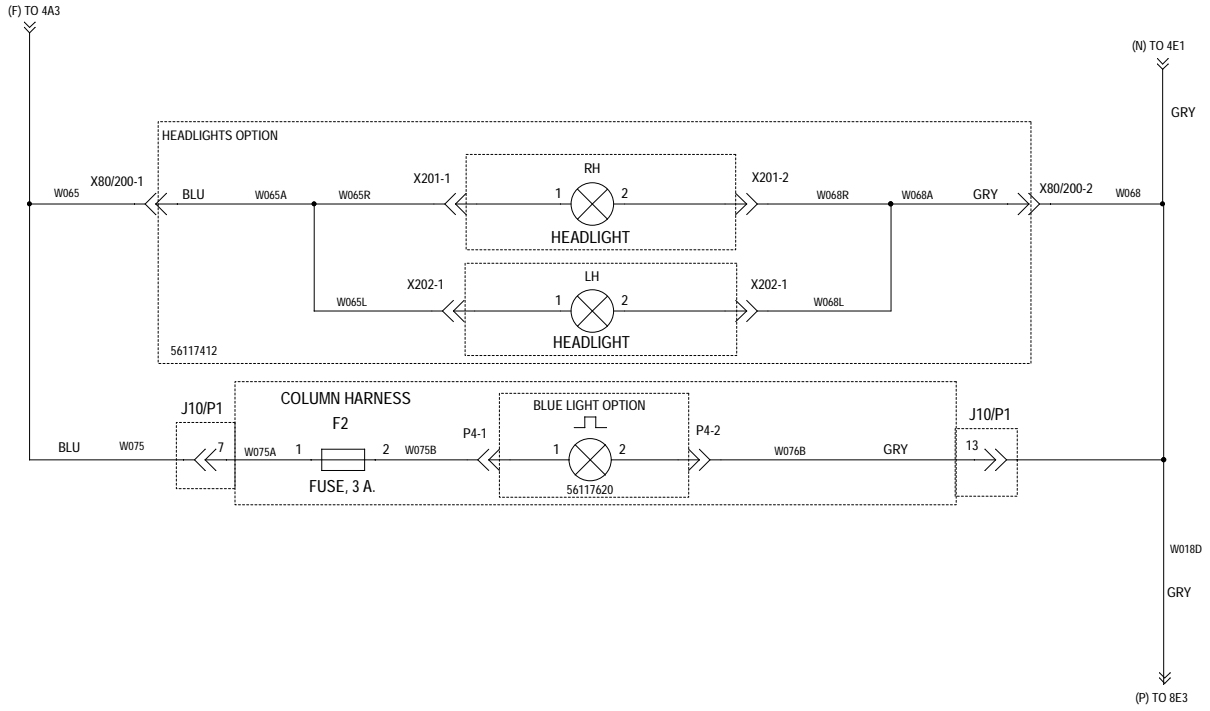
[1] - CONSULT CURRENT PARTS LIST



No.	Part No.	Qty.	Description	Part Note
A1	56120488	1	CONTROLLER KIT	
A2	56116087	1	MODULE-HIGH POWER	
A4	56120502	1	CONTROLLER-DRIVE BRUSHED DC	
A7	56117797	1	CHARGER-ON BOARD-36V	[1]
A8	9100003246	1		
A9	56124099	1	INTERFACE P32 MMC KIT	
A17	56116477	1	IBUTTON-PROBE	
BT3		1	Battery	
CB1	56315255	1	CIRCUIT BREAKER, 5 AMP	
CB2	56454429	1	70A CIRCUIT BREAK	
CB3	56315255	1	CIRCUIT BREAKER, 5 AMP	
F1	56115432	1	FUSE-150 AMP	
F2		1	3 Amp Fuse	
F3		1	30 Amp Fuse	
F4		1	30 Amp Fuse	
F5		1	30 Amp Fuse	
F6		1	30 Amp Fuse	
F7		1	5 Amp Fuse	
F8		1	10 Amp Fuse	
F9		1	10 Amp Fuse	
F10		1	10 Amp Fuse	
F11		1	40 Amp Fuse	
F12		1	40 Amp Fuse	
F13		1	40 Amp Fuse	
H7	56116375	1	HORN-36V	
H8	56117416-Sp	1	ALARM-BACK-UP-11-100V	
K1	40892a	1	RELAY, DPDT	
K2	56117835	1	36V CONTACTOR KIT	
L7		1	Valve-Solenoid-36vdc	
LP1	56383032	1	LIGHT-LED	
LP2	56383032	1	LIGHT-LED	
LP8	56117845-SP	1	BEACON-WARNING LED	
	56117622	1	LIGHT-DIRECTIONAL-BLUE	
	56117427-SP	1	SENSOR-LEVEL-CAPACITIVE	
M20	56120265	1	MOTOR-36VDC-780W WITH BRAKE	
M24	56110742	1	PUMP DETERGENT 12V	
M25	56117499-Sp	1	ACTUATOR-DECK	
M26	56117967	1	PUMP-36VDC-WATER-65PSI	
M27		1	Actuator Assy-Disk Deck	
M27		1	Actuator Assy-Cyl Deck	
M30		1	Motor, Vacuum 1	
M30		1	Motor, Vacuum 2	
M33		1	Right Brush Disc	
M34		1	Rear Cylindrical Brush Motor	
M40		1	Front Cylindrical Brush Motor	
M41		1	Motor, Left Brush Disc Drive Motor	
R3	56123358-Sp	1	PEDAL-UNI DIRECTION-HALL	
S1	56117842	1	SENSOR-PROXIMITY	
S21	56104247	1	DISCONNECT-EMERGENCY	
S22	7-82-00050	1	SWITCH SEAT	
Y4	56120229	1	BRAKE-ELECTROMAGNETIC-LEVER	

Part Notes:

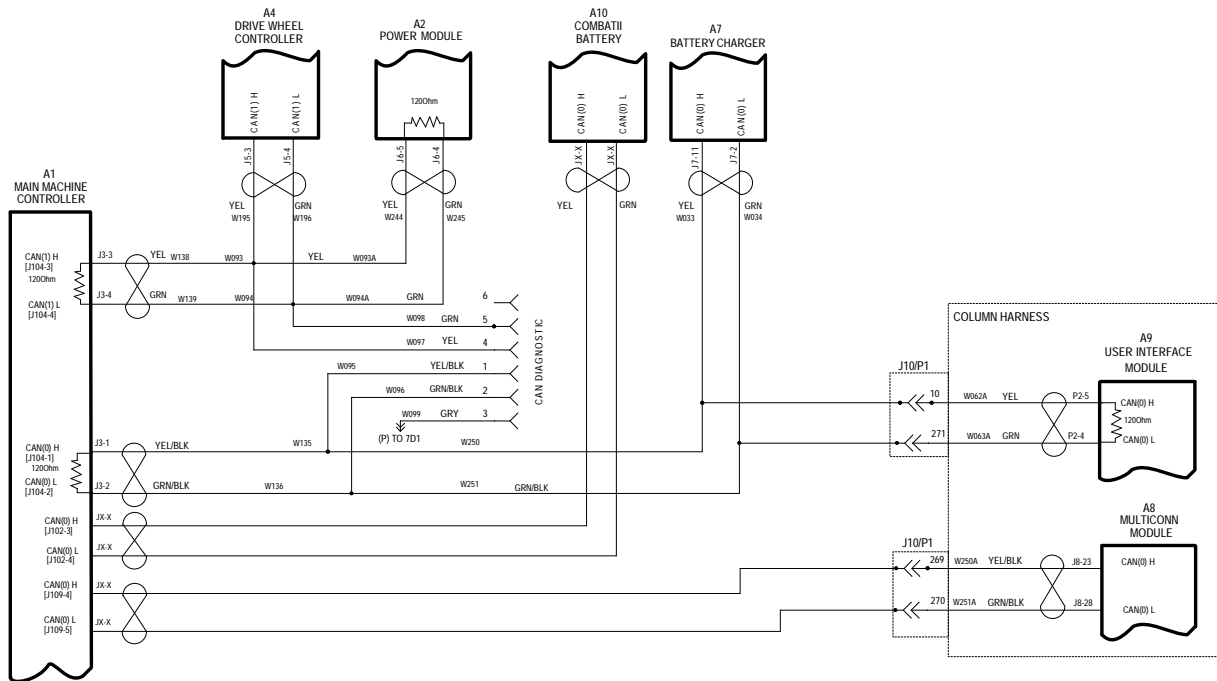
[1] - CONSULT CURRENT PARTS LIST



No.	Part No.	Qty.	Description	Part Note
A1	56120488	1	CONTROLLER KIT	
A2	56116087	1	MODULE-HIGH POWER	
A4	56120502	1	CONTROLLER-DRIVE BRUSHED DC	
A7	56117797	1	CHARGER-ON BOARD-36V	[1]
A8	9100003246	1		
A9	56124099	1	INTERFACE P32 MMC KIT	
A17	56116477	1	IBUTTON-PROBE	
BT3		1	Battery	
CB1	56315255	1	CIRCUIT BREAKER, 5 AMP	
CB2	56454429	1	70A CIRCUIT BREAK	
CB3	56315255	1	CIRCUIT BREAKER, 5 AMP	
F1	56115432	1	FUSE-150 AMP	
F2		1	3 Amp Fuse	
F3		1	30 Amp Fuse	
F4		1	30 Amp Fuse	
F5		1	30 Amp Fuse	
F6		1	30 Amp Fuse	
F7		1	5 Amp Fuse	
F8		1	10 Amp Fuse	
F9		1	10 Amp Fuse	
F10		1	10 Amp Fuse	
F11		1	40 Amp Fuse	
F12		1	40 Amp Fuse	
F13		1	40 Amp Fuse	
H7	56116375	1	HORN-36V	
H8	56117416-Sp	1	ALARM-BACK-UP-11-100V	
K1	40892a	1	RELAY, DPDT	
K2	56117835	1	36V CONTACTOR KIT	
L7		1	Valve-Solenoid-36vdc	
LP1	56383032	1	LIGHT-LED	
LP2	56383032	1	LIGHT-LED	
LP8	56117845-SP	1	BEACON-WARNING LED	
	56117622	1	LIGHT-DIRECTIONAL-BLUE	
	56117427-SP	1	SENSOR-LEVEL-CAPACITIVE	
M20	56120265	1	MOTOR-36VDC-780W WITH BRAKE	
M24	56110742	1	PUMP DETERGENT 12V	
M25	56117499-Sp	1	ACTUATOR-DECK	
M26	56117967	1	PUMP-36VDC-WATER-65PSI	
M27		1	Actuator Assy-Disk Deck	
M27		1	Actuator Assy-Cyl Deck	
M30		1	Motor, Vacuum 1	
M30		1	Motor, Vacuum 2	
M33		1	Right Brush Disc	
M34		1	Rear Cylindrical Brush Motor	
M40		1	Front Cylindrical Brush Motor	
M41		1	Motor, Left Brush Disc Drive Motor	
R3	56123358-Sp	1	PEDAL-UNI DIRECTION-HALL	
S1	56117842	1	SENSOR-PROXIMITY	
S21	56104247	1	DISCONNECT-EMERGENCY	
S22	7-82-00050	1	SWITCH SEAT	
Y4	56120229	1	BRAKE-ELECTROMAGNETIC-LEVER	

Part Notes:

[1] - CONSULT CURRENT PARTS LIST



No.	Part No.	Qty.	Description	Part Note
A1	56120488	1	CONTROLLER KIT	
A2	56116087	1	MODULE-HIGH POWER	
A4	56120502	1	CONTROLLER-DRIVE BRUSHED DC	
A7	56117797	1	CHARGER-ON BOARD-36V	[1]
A8	9100003246	1		
A9	56124099	1	INTERFACE P32 MMC KIT	
A17	56116477	1	IBUTTON-PROBE	
BT3		1	Battery	
CB1	56315255	1	CIRCUIT BREAKER, 5 AMP	
CB2	56454429	1	70A CIRCUIT BREAK	
CB3	56315255	1	CIRCUIT BREAKER, 5 AMP	
F1	56115432	1	FUSE-150 AMP	
F2		1	3 Amp Fuse	
F3		1	30 Amp Fuse	
F4		1	30 Amp Fuse	
F5		1	30 Amp Fuse	
F6		1	30 Amp Fuse	
F7		1	5 Amp Fuse	
F8		1	10 Amp Fuse	
F9		1	10 Amp Fuse	
F10		1	10 Amp Fuse	
F11		1	40 Amp Fuse	
F12		1	40 Amp Fuse	
F13		1	40 Amp Fuse	
H7	56116375	1	HORN-36V	
H8	56117416-Sp	1	ALARM-BACK-UP-11-100V	
K1	40892a	1	RELAY, DPDT	
K2	56117835	1	36V CONTACTOR KIT	
L7		1	Valve-Solenoid-36vdc	
LP1	56383032	1	LIGHT-LED	
LP2	56383032	1	LIGHT-LED	
LP8	56117845-SP	1	BEACON-WARNING LED	
	56117622	1	LIGHT-DIRECTIONAL-BLUE	
	56117427-SP	1	SENSOR-LEVEL-CAPACITIVE	
M20	56120265	1	MOTOR-36VDC-780W WITH BRAKE	
M24	56110742	1	PUMP DETERGENT 12V	
M25	56117499-Sp	1	ACTUATOR-DECK	
M26	56117967	1	PUMP-36VDC-WATER-65PSI	
M27		1	Actuator Assy-Disk Deck	
M27		1	Actuator Assy-Cyl Deck	
M30		1	Motor, Vacuum 1	
M30		1	Motor, Vacuum 2	
M33		1	Right Brush Disc	
M34		1	Rear Cylindrical Brush Motor	
M40		1	Front Cylindrical Brush Motor	
M41		1	Motor, Left Brush Disc Drive Motor	
R3	56123358-Sp	1	PEDAL-UNI DIRECTION-HALL	
S1	56117842	1	SENSOR-PROXIMITY	
S21	56104247	1	DISCONNECT-EMERGENCY	
S22	7-82-00050	1	SWITCH SEAT	
Y4	56120229	1	BRAKE-ELECTROMAGNETIC-LEVER	

Part Notes:

[1] - CONSULT CURRENT PARTS LIST

**No
Diagram
Available**

**Parts List
Only**

No.	Part No.	Qty.	Description	Part Note
			Accessories	
	56120309	1	BEACON KIT	
	56116355	1	VACUUM WAND KIT	
	56120506	1	ONBOARD CHARGER KIT-36V-EURO	
	56116358	1	SOLUTION AUTO FILL KIT	
	56120300	1	SQUEEGEE GUARD KIT	
	56117811	1	SCRUB N VAC TOOL KIT	
	56117869	1	FOOT GUARD KIT	
	56120260	1	HEADLIGHT KIT-SC4000	
	56117906	1	WASH HOSE KIT	
	56120349	1	ECOFLEX KIT	
	56116614	1	BATTERY WATERING KIT-36V	
	56116619	1	MOP HOLDER KIT	
	56383189	1	ARM REST KIT-R/H ONLY	
	56117688	1	SEAT BELT KIT	
	56117893	1	DRAIN HOSE EXTENSION KIT-1.5IN	
	56117858	1	BLUE LIGHT KIT	
	56117868	1	MULTICONN KIT	
	56120261	1	VACUUM KIT-HIGH POWER	
	56116856	1	USB KIT	
	56120192	1	SOLUTION DRAIN HOSE ASSEMBLY	
	56120353	1	CLICK-ON 28D/710D KIT	
	56120354	1	CLICK-ON 34D/860D KIT	
	56120485	1	DELUXE SIDE SKIRT KIT	
			Options	
	56116518	1	SMART KEY-USER	
	56116519	1	SMART KEY-SUPERVISOR	
	56044741	1	LITERATURE PACK	[1]
			Kits	
			710C, 710D Squeegee Blade Kits for 56120135 (M)	
	56120334	1	SQUEEGEE BLADE KIT 28-LINATEX-M	[2]
	56120336	1	SQUEEGEE BLADE KIT 28-PU-M	[2]
	56120335	1	SQUEEGEE BLADE KIT 28-GUM-M	[2]
	56120337	1	SQUEEGEE BLADE KIT 34 - PRIMO-M	[2]
			810C & 860D Squeegee Blade Kits for 56117300 (L)	
	56120338	1	SQUEEGEE BLADE KIT 34 -LINATEX-L	[2]
	56120340	1	SQUEEGEE BLADE KIT 34 -PU-L	[2]
	56382738	1	BLADE KIT SQUEEGEE GUM 34	[2]
	56120339	1	SQUEEGEE BLADE KIT-PRIMO-L	[2]
			Scrub System Side Blade Kit for Cylindrical Decks	
	56120345	1	CYL SIDE BLADE KIT-LINATEX	
	56120346	1	CYL SIDE BLADE KIT-GUM	
	56120347	1	CYL SIDE BLADE KIT-PU	
	56120348	1	CYL SIDE BLADE KIT-PRIMO	
			Scrub System Side Blade Kit for Disc/Rev Decks	
	56120341	1	DISC/REV SIDE BLADE KIT-LINAT	
	56120342	1	DISC/REV SIDE BLADE KIT-GUM	
	56120343	1	DISC/REV SIDE BLADE KIT-PU	
	56120344	1	DISC/REV SIDE BLADE KIT-PRIMO	
			710D Disc Scrub Brushes	
	56505800	2	PAD HOLDER 370 MM	
	56505801	2	BRUSH MAGNA GRIT 46	
	56505802	2	BRUSH DYNA GRIT 80	
	56505803	2	BRUSH AGLITE GRIT 500	
	56505804	2	BRUSH PROLENE	
	56505805	2	BRUSH PROLITE	
	56505806	2	UNION MIX BRUSH 36CM	
	56505807	2	BRUSH MIDGRIT 240	

No.	Part No.	Qty.	Description	Part Note
	56505808	2	BRUSH MIDLITE GRIT 180	
			860D Disc Scrub Brushes	
	56505780	2	PAD HOLDER 17 3 LUG	
	56505781	2	DISC BRUSH 17 MAGNAGRIT	
	56505782	2	DISC BRUSH 17 DYNAGRIT	
	56505783	2	DISC BRUSH 17 AGLITE 3	
	56505784	2	DISC BRUSH 17 PROLENE 3	
	56505785	2	DISC BRUSH 17 PROLITE 3	
	56505786	2	DISC BRUSH 17 UNION MIX	
	56505787	2	DISC BRUSH 17 MIDGRIT 3	
	56505788	2	DISC BRUSH 17 MIDLITE 3	
			710C Cylindrical Scrub Brushes	
	56412191	2	BRUSH SOFT NYLON 28	[3]
	56412192	2	BRUSH HARD NYLON 28	
	56412046	2	BRUSH POLYPROPYLENE 28	
	56412193	2	BRUSH 180 GRIT	
	56412194	2	BRUSH DYNA GRIT 80	[3]
	56412195	2	BRUSH MAGNA GRIT 46	[3]
			810C Cylindrical Scrub Brushes	
	56407474	2	BRUSH NYLON HARD	
	56407476	2	BRUSH MIDLITE GRIT 180	
	56407477	2	BRUSH DYNA GRIT 80	
	56407473	2	BRUSH NYLON SOFT	
	56407475	2	BRUSH PROLENE	
	56407478	2	BRUSH MAGNA GRIT 46	

Part Notes:

- [1] - NOT SALEABLE SC4000 ITEMS
 [2] - All squeegee blade kits include both front and rear squeegee blades.
 [3] - COMPLEXITY REDUCTION

**No
Diagram
Available**

**Parts List
Only**

Recommended Spare Parts

SC4000 710C NIL

2022.12.21

2022.12.22

No.	Part No.	Qty.	Description	Part Note
			CHASSIS SYSTEM	
			Ordinary Maintenance	
O	56117889	1	SQUEEGEE ACTUATOR KIT	
O	56117891	1	STATIC STRAP KIT	
			STEERING CONTROL SYSTEM	
			Ordinary Maintenance	
O	56117921	1	SPROCKET KIT	
O	56117185	1	INTERFACE KIT	
O	56117436-Sp	1	WHEEL-STEERING	
			ELECTRICAL SYSTEM	
			Ordinary Maintenance	
O	56117835	1	36V CONTACTOR KIT	
O	56120203	1	CABLE-MACHINE	
O	56120204	1	CABLE-BATTERY	
O	56120205	1	HARNES-TRACTION	
O	56117416-Sp	1	ALARM-BACK-UP-11-100V	
O	56120220	1	HARENSS-COLUMN	
O	56120502	1	CONTROLLER-DRIVE BRUSHED DC	
O	56117202-Sp	1	MAIN HARNESS	
O	56115432	1	FUSE-150 AMP	
O	56116087	1	MODULE-HIGH POWER	
O	56123358-Sp	1	PEDAL-UNI DIRECTION-HALL	
O	40892a	1	RELAY, DPDT	
O	56315255	1	CIRCUIT BREAKER, 5 AMP	
O	56454429	1	70A CIRCUIT BREAK	
			RECOVERY SYSTEM	
			Ordinary Maintenance	
O	56120314	1	RECOVERY TANK LID KIT	
O	56120315	1	FILTER COVER KIT	
O	56117992	1	FLOAT CAGE KIT	
O	56120313	1	VACUUM MOTOR KIT-STANDARD	
O	56120316	1	LOWER VACUUM EXHAUST PANEL KIT	
O	56120317	1	UPPER VACUUM EXHAUST PANEL KIT	
O	56117529-Sp	1	DEBRIS TRAY	
O	56117530-Sp	1	COVER-DEBRIS TRAY	
O	56117789-Sp	1	HOSE ASSY-DRAIN-PU-1.5-BLACK	
O	56117543	1	SQUEEGEE HOSE ASSEMBLY	
O	56314372	1	SCREEN FILTER	
O	56314373	1	FILTER	
			SCRUB SYSTEM	
			Ordinary Maintenance	
O	56117362-Sp	1	APPLICATOR TUBE ASSY-32 IN	
O	56117313-Sp	1	HOPPER ASSEMBLY-32IN	
O	56117318-Sp	1	IDLER ASSEMBLY-CYLINDRICAL	
O	56117564-Sp	1	WASHER-BEARING	
O	56117565-Sp	1	LUG-DRIVE END	
O	56117148-Sp	1	RING-RET EXT-ROUND-45MM	
O	56117760-Sp	1	HOUSING-CYLINDRICAL DRIVE	
O	56120125	1	APPLICATOR TUBE ASSY-28 IN	
O	56120122	1	HOPPER ASSEMBLY 28"	
O	56117214	1	RH STRAP KIT-DISK	
O	56117499-Sp	1	ACTUATOR-DECK	
O	56117219	1	LH STRAP KIT-DISK	
O	56117238	1	RH STRAP KIT-CYL	
O	56117252	1	LH STRAP KIT-CYL	
O	56117317-Sp	1	CASTING-IDLER END-CYLINDRICAL	
O	56120320	1	HOPPER SCREEN KIT-28	
O	56117459	1	MOTOR KIT-CYL DECK	

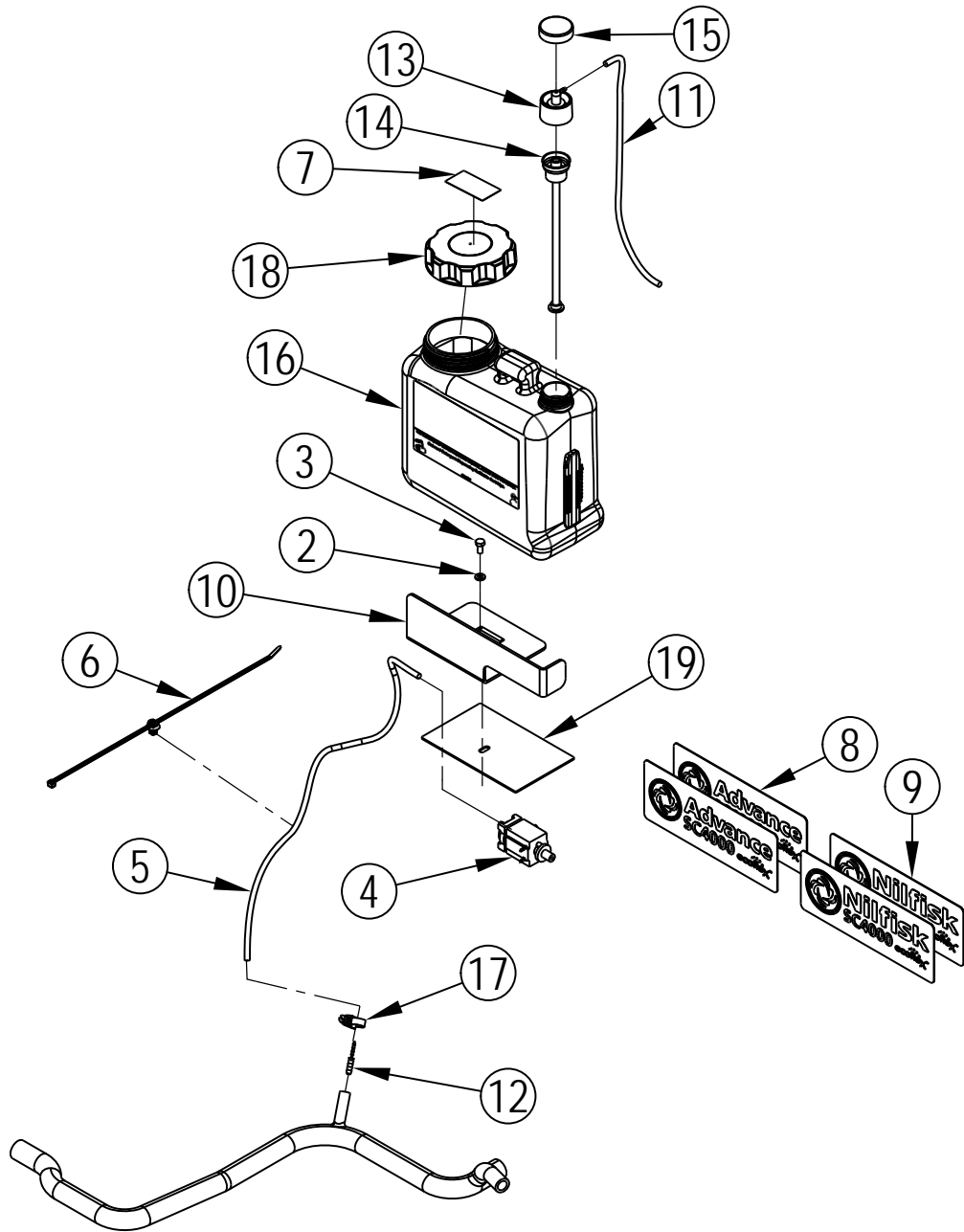
Recommended Spare Parts

SC4000 710C NIL

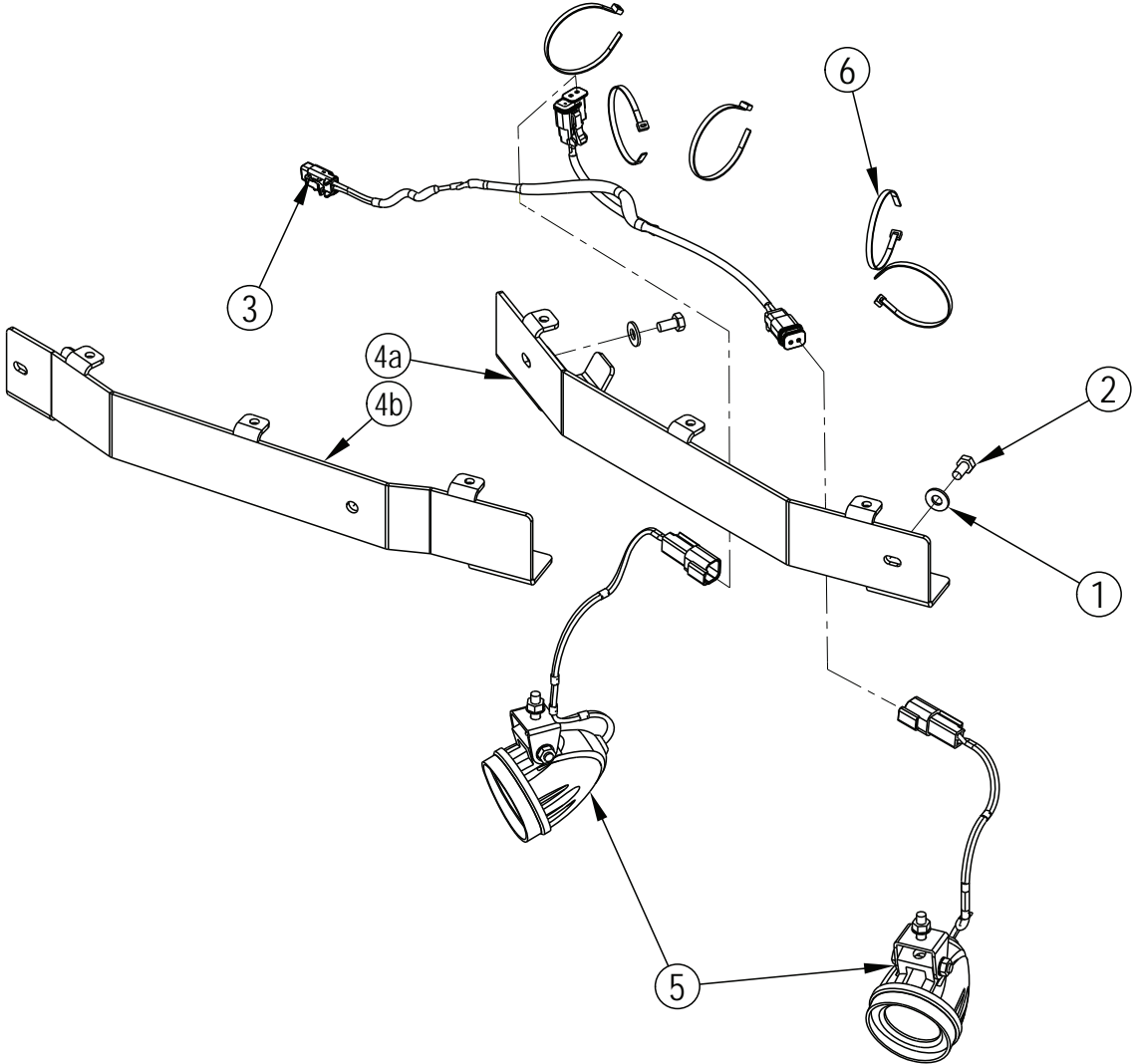
2022.12.21

2022.12.22

No.	Part No.	Qty.	Description	Part Note
O	56117460	1	LATCH KIT-CYL	
O	56117461	1	MOTOR SHEAVE KIT	
O	56117462	1	BELT AUTO TENSION KIT	
O	56117463	1	DRIVE SHEAVE KIT	
O	56117898	1	SOLENOID VALVE KIT	
O	56117899	1	UP STOP KIT	
O	56117900	1	32 CYL DECK WELDMENT KIT	
O	56117908	1	DISC SCRUB MOTOR KIT	
O	56117909	1	DISK DECK ACTUATOR KIT	
O	56120326	1	28D/28R ROLLER KIT	
O	56120325	1	FRONT BLADE KIT	
O	56117917	1	RIGHT BRUSH PLATE KIT	
O	56117918	1	LEFT BRUSH PLATE KIT	
O	56117919	1	CYLINDRICAL DECK ACTUATOR KIT	
			Normal Wear	
			Disc Deck Blades	
W	56120341	1	DISC/REV SIDE BLADE KIT-LINAT	
			Cylindrical Deck Blades	
W	56120345	1	CYL SIDE BLADE KIT-LINATEX	
			SOLUTION SYSTEM	
			Ordinary Maintenance	
O	56117457-Sp	1	BOX-STORAGE	
O	56120311	1	SOLUTION TANK KIT	
O	56117925	1	BALL VALVE KIT	
O	56117926	1	WATER FILTER KIT	
O	56117929	1	COVER GASKET KIT	
O	56120192	1	SOLUTION DRAIN HOSE ASSEMBLY	
			SQUEEGEE SYSTEM	
			Ordinary Maintenance	
O	56117356-Sp	1	CASTER ASSEMBLY	
O	56117302-Sp	1	KNOB-SQUEEGEE-M12	
O	56117303	1	SQUEEGEE ARM WELDMENT	
O	56117988	1	ROD END KIT	
			Normal Wear	
W	56120338	1	SQUEEGEE BLADE KIT 34 -LINATEX-L	
W	56120340	1	SQUEEGEE BLADE KIT 34 -PU-L	
			REAR AND DRIVE WHEEL SYSTEM	
			Ordinary Maintenance	
O	56120265	1	MOTOR-36VDC-780W WITH BRAKE	
O	56117558-Sp	1	BLOCK-BEARING	
O	56117183	1	CHAIN KIT	
O	56120307	1	REAR WHEEL KIT	



No.	Part No.	Qty.	Description	Part Note
2	56003638	1	WSH FLT SS M6	
3		1	Scr Hex M6x12 SS w/Thd Lck	
4	56110742	1	PUMP DETERGENT 12V	
5	56111870	1	HOSE-27.00 IN CHEM RESISTANT	
6		1	Cable Tie-Mount	
7		1	Decal-Chemical Ratio	
8		2	Decal-Advance SC4000-EcoFlex	
9		2	Decal-Nilfi sk SC4000-EcoFlex	
10		1	Bracket-Detergent Bottle	
11	56306169	1	HOSE CHEM RESISTANT 17.00	
12	56314982	1	REDUCER BARB	
13	56315523	1	CAP DRY BREAK 1/8 BARB	
14	56315527	1	INSERT DRY BREAK	
15	56315690	1	CAP 38MM BUTTRESS	
16	56601544	1	CHEMICAL BOTTLE ASSEMBLY	
17		1	Clamp Hose 8-16/9 Din3017	
18	9100001512	1	CAP PLASTIC F CHEMICAL TANK	
19		1	Bracket-Pump Cover	



No.	Part No.	Qty.	Description	Part Note
	56117862		HEADLIGHT KIT	[1]
	56120260	1	HEADLIGHT KIT-SC4000	[2]
1	56002098	2	WASHER	
2	56004083	2	SCR HEX M6X12 SS W/THD LCK	
3	56124272	1	INDUCTOR-JUMPER	
4a	56120262	1	BRACKET-HEADLIGHT-SC5000	
4b	56120263	1	BRACKET-HEADLIGHT-SC4000	
3	56117412	1	HARNESS-LIGHTS-FRONT	
5	56383032	2	LIGHT-LED	
6	56478246	5	CABLE TIE E00549 RE438B	

Part Notes:

- [1] - All SC5000 models
- [2] - All SC4000 models